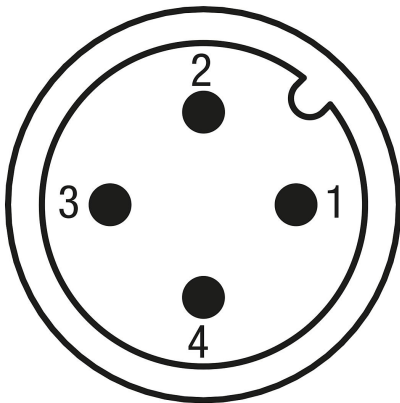
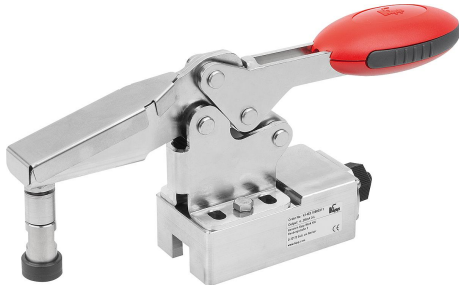


Toggle clamps, horizontal, stainless steel with force sensor

Item description/product images



Description

Material:

Clamp stainless steel.
Grip polyamide.
Force sensor stainless steel.
Electronics housing stainless steel.

Spacer sleeve stainless steel.
Grub screw stainless steel.
Protective cap thermoplastic.

Version:

Stainless steel parts bright.
Protective cap black.

Note:

incl. 1 set clamping elements K1464

Technical data:

Force sensor:
Nom. force F_{nom} : clamping force F_4
Calibration range: 0 - clamping force F_4
Overall system accuracy: 5% F_{nom}
Limit force F_L : 120% F_{nom}
Breaking force F_B : >200% F_{nom}
Nom. temp. range $B_{T,nom}$: -20 - +60 °C

Amplifier electronics:

Operating voltage: 10 - 30 V DC
Output signal (rated output) C_{nom} : 4 - 20 mA 3-wire
Permitted load: $<(U_b - 10V)/0.024 A$
Electrical connection: M12x1

Pin assignment:

- 1: UB+
- 2: -
- 3: 0V / S-
- 4: S+

Protection class: IP66

Application:

Toggle clamps are used to hold and clamp workpieces. They are used as mounting and holding fixtures.

The toggle clamp with force sensor enables measurement and adjustment of the retaining force. Workpieces can be defined and the retaining force recorded.

The clamping element is used to adjust the retaining force. Clamping elements with different heights are available for workpieces with different thicknesses.

Accessory:

K1464

Drawing reference:

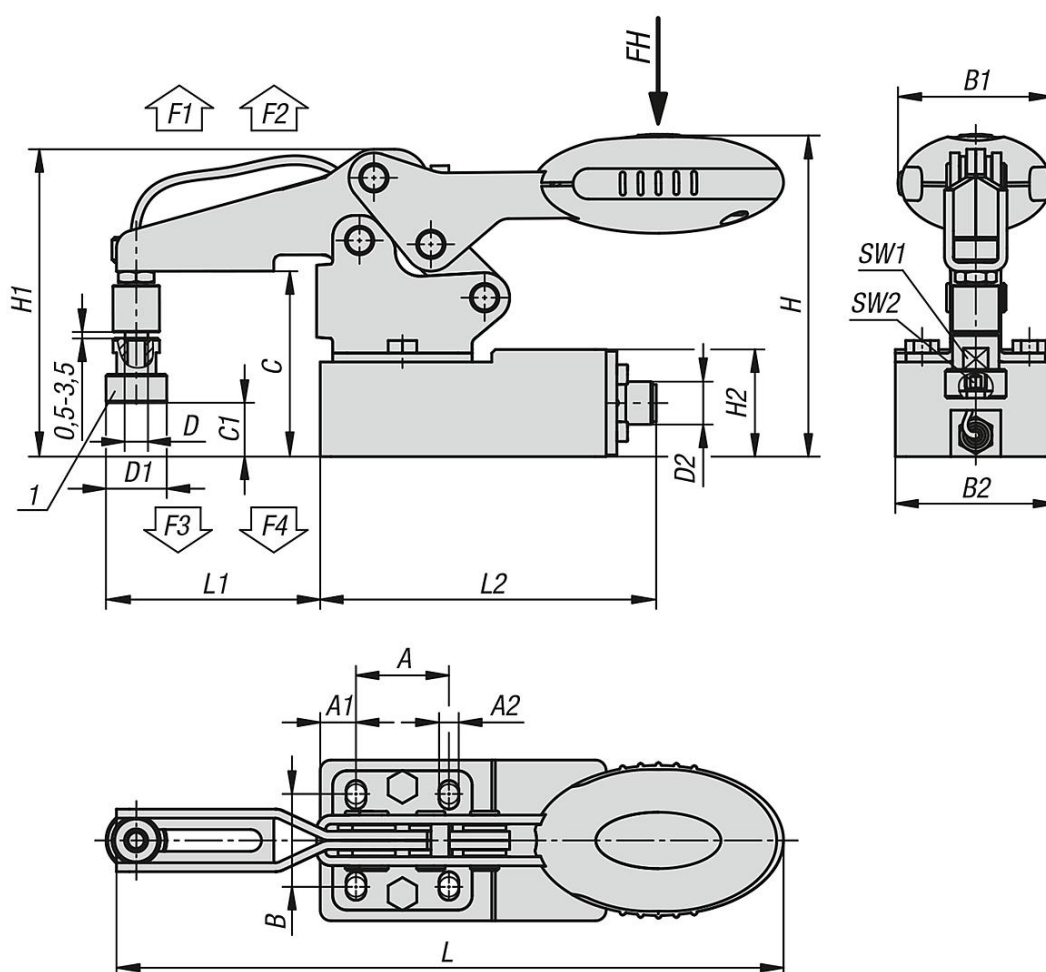
- 1) Clamping element K1464

Toggle clamps, horizontal, stainless steel with force sensor

Item description/product images



Drawings



Overview of items

Stainless steel toggle clamp, horizontal with force sensor

Order No.	Component colour	Opening angle of holding arm	Opening angle of handle	Hand force FH N	Retaining force F1 N	Retaining force F2 N	Clamping force F3 N	Clamping force F4 N	Output signal
K1463.10600011	black grey RAL 7021	86°	67°	160	1350	1900	720	1200	4-20mA
K1463.10800011	black grey RAL 7021	86°	67°	200	2000	2800	830	1400	4-20mA
K1463.10600311	traffic red RAL 3020	86°	67°	160	1350	1900	720	1200	4-20mA
K1463.10800311	traffic red RAL 3020	86°	67°	200	2000	2800	830	1400	4-20mA

Toggle clamps, horizontal, stainless steel with force sensor

Overview of items

Order No.	Component colour	A	A1	A2	B	B1	B2	C	C1	D	D1	D2	H	H1	H2	L	L1	L2	SW1	SW2
K1463.10600011	black grey RAL 7021	26	10	5,5	26	43,5	45	51,9	maks. 16,4	M6	17	M12x1	90,2	86,1	30	186,6	60	94	11	3
K1463.10800011	black grey RAL 7021	26	10	6,2	26	41,5	45	58,7	maks. 18,4	M8	17	M12x1	100,4	96,6	30	223,1	73,5	94	11	4
K1463.10600311	traffic red RAL 3020	26	10	5,5	26	43,5	45	51,9	maks. 16,4	M6	17	M12x1	90,2	86,1	30	186,6	60	94	11	3
K1463.10800311	traffic red RAL 3020	26	10	6,2	26	41,5	45	58,7	maks. 18,4	M8	17	M12x1	100,4	96,6	30	223,1	73,5	94	11	4