

## Taper grip with moulded thread, Form C

### Item description/product images



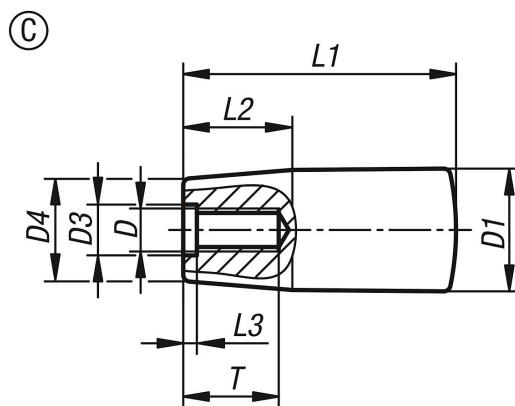
### Description

**Material:**  
Black thermoset PF 31

**Version:**  
High-gloss polished.

**On request:**  
Other colours.

### Drawings



### Overview of items

Order No.	Form	D	D1	D3	D4	L1	L2	L3	T
K1202.10618	C	M6	18	6,2	15	40	16	2	14
K1202.10818	C	M8	18	8,5	15	40	16	2	18
K1202.10823	C	M8	23	8,5	19	65	24	2	18
K1202.11028	C	M10	28	10,5	22	90	32	3,5	22