

## Taper grips revolving

### Item description/product images



### Description

**Material:**

Black thermoset PF 31.

Centre pin and tapped bush electro zinc-plated steel or bright stainless steel.

**Version:**

High-gloss polished.

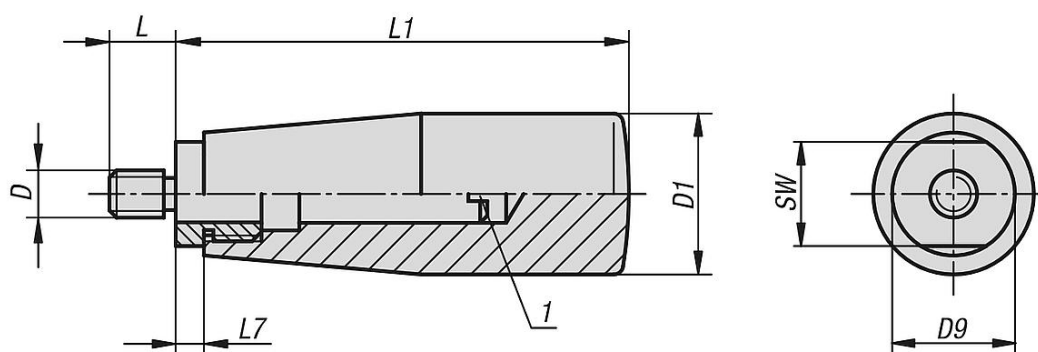
**Note:**

To mount unscrew the axle.

**Drawing reference:**

1) mounting aid

### Drawings



### Overview of items

#### Taper grips revolving

Order No.	Component material	D	D1	D9	L	L1	L7	SW
K0170.105007	steel	M5	17	15	7	51	5	13
K0170.206008	steel	M6	23	18	8	68	6	16
K0170.208009	steel	M8	23	18	9	68	6	16
K0170.310011	steel	M10	28	21	11	77	7	19
K0170.1105007	stainless steel	M5	17	15	7	51	5	13
K0170.1206008	stainless steel	M6	23	18	8	68	6	16
K0170.1208009	stainless steel	M8	23	18	9	68	6	16
K0170.1310011	stainless steel	M10	28	21	11	77	7	19