

# Handwheels disc stainless steel with revolving grip

## Item description/product images



### Description

**Material:**

Stainless steel 1.4301.

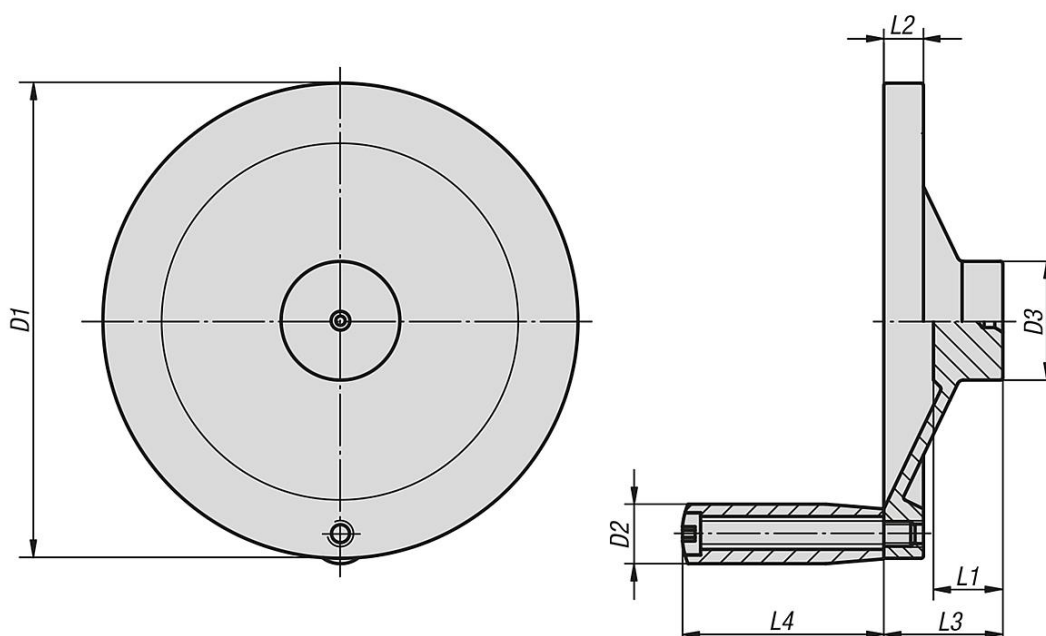
**Version:**

Turned, bright.  
Hub is centre bored.

**On request:**

Stainless steel 1.4401.  
Stainless steel 1.4404.  
Stainless steel 1.4571.

## Drawings



## Overview of items

### Handwheels disc stainless steel, with revolving grip

| Order No.     | D1    | D2    | D3   | L1    | L2    | L3   | L4    |
|---------------|-------|-------|------|-------|-------|------|-------|
| K1307.4076X00 | 76,2  | 9,91  | 22,1 | 17,02 | 6,1   | 27,9 | 37,9  |
| K1307.4101X00 | 101,6 | 11,94 | 25,9 | 18,03 | 7,87  | 31,7 | 39,88 |
| K1307.4152X00 | 152,4 | 19,05 | 38,1 | 22,1  | 12,7  | 38,1 | 63,5  |
| K1307.4203X00 | 203,2 | 22,1  | 45,7 | 24,13 | 14,22 | 45,7 | 76,2  |
| K1307.4254X00 | 254   | 22,1  | 50,8 | 26,67 | 15,75 | 50,8 | 76,2  |

