

## Disc handwheels, aluminium with fold-down cylindrical grip, Form C with reamed hole and keyway

Item description/product images



### Description

#### Material:

Handwheel aluminium.  
Cylinder grip and hub cover black thermoplastic.  
Cylinder grip pin black oxidised steel.  
ISO 4027 grub screw, steel grade 45 H, black.

#### Version:

Black or silver powder-coated.

#### Note:

Wheel rim radial and axial run-out  $\leq 0.4$  mm.

#### Assembly:

The hub cover is supplied unassembled.  
The handwheels can be secured to a shaft using a transverse pin or by parallel key connection together with a DIN 6912 cap screw and a handwheel washer K0173.  
By the versions with transverse bore, fixation is carried out using an ISO 4027 grub screw.

#### Supplied with:

Aluminium handwheel.  
Hub cover.  
Fold-down cylinder grip.  
ISO 4027 grub screw (type with transverse bore).

#### Accessory:

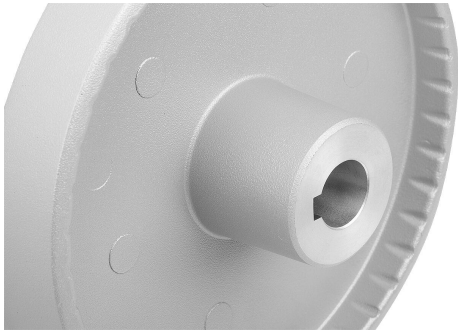
K0173 Handwheel washers.  
K1160 Socket head screws with low head DIN 6912.

#### Drawing reference:

1) Position of the transverse bore to the keyway is offset by 90°.

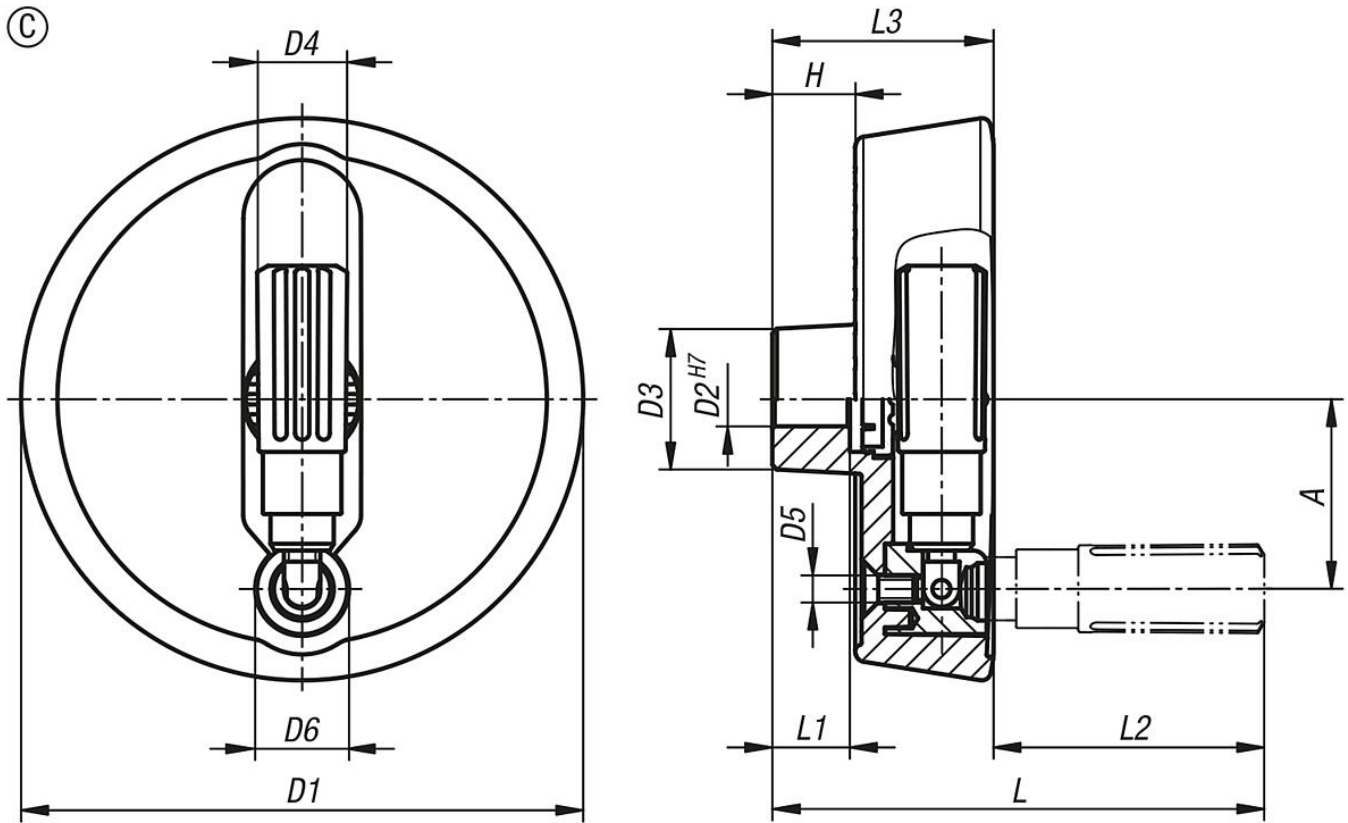
# Disc handwheels, aluminium with fold-down cylindrical grip, Form C with reamed hole and keyway

Item description/product images

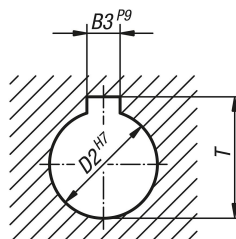


Disc handwheels, aluminium with fold-down cylindrical grip, Form C with reamed hole and keyway

Drawings



DIN 6885-1



Overview of items

Order No.	Main colour	Form	Form definition	A	B3	D1	D2	D3	D4	D5	D6	H	L	L1	L2	L3	T
K1522.10010103	black	C	reamed hole with slot	33	3	100	10	28	16	M5	16	17,4	92,5	17	47,5	45	11,4
K1522.10012104	black	C	reamed hole with slot	33	4	100	12	28	16	M5	16	17,4	92,5	17	47,5	45	13,8
K1522.12512104	black	C	reamed hole with slot	42	4	125	12	31	19,9	M6	20	18,3	105,5	18	56,5	49	13,8
K1522.12514105	black	C	reamed hole with slot	42	5	125	14	31	19,9	M6	20	18,3	105,5	18	56,5	49	16,3
K1522.10010203	silver	C	reamed hole with slot	33	3	100	10	28	16	M5	16	17,4	92,5	17	47,5	45	11,4
K1522.10012204	silver	C	reamed hole with slot	33	4	100	12	28	16	M5	16	17,4	92,5	17	47,5	45	13,8
K1522.12512204	silver	C	reamed hole with slot	42	4	125	12	31	19,9	M6	20	18,3	105,5	18	56,5	49	13,8
K1522.12514205	silver	C	reamed hole with slot	42	5	125	14	31	19,9	M6	20	18,3	105,5	18	56,5	49	16,3

**Disc handwheels, aluminium with fold-down cylindrical grip, Form C  
with reamed hole and keyway**

Overview of items

---