

## Disc handwheels, aluminium with revolving cylindrical grip, Form E with reamed hole

Item description/product images



### Description

#### Material:

Handwheel aluminium.  
Cylinder grip and hub cover black thermoplastic.  
Cylinder grip pin black oxidised steel.  
ISO 4027 grub screw, steel grade 45 H, black.

#### Version:

Black or silver powder-coated.

#### Note:

Wheel rim radial and axial run-out  $\leq 0.4$  mm.

#### Assembly:

The hub cover and the revolving cylinder grip are supplied unassembled. To assemble, screw the grip into the tapped hole.  
The handwheels can be secured to a shaft using a transverse pin or by parallel key connection together with a DIN 6912 cap screw and a handwheel washer K0173.  
By the versions with transverse bore, fixation is carried out using an ISO 4027 grub screw.

#### Supplied with:

Aluminium handwheel.  
Hub cover.  
Revolving cylinder grip.  
ISO 4027 grub screw (type with transverse bore).

#### Accessory:

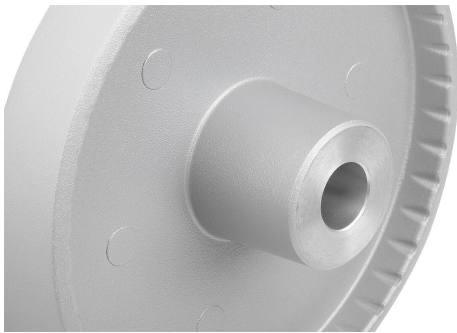
K0173 Handwheel washers.  
K1160 Socket head screws with low head DIN 6912.

#### Drawing reference:

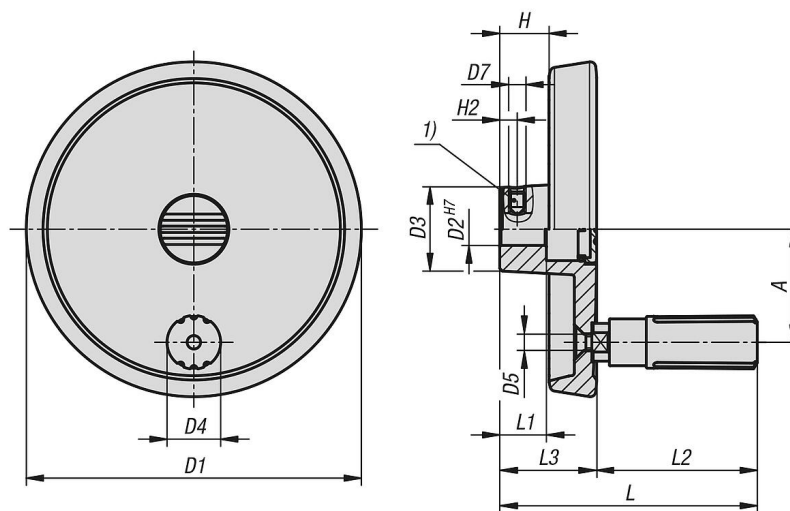
1) Position of the transverse bore to the keyway is offset by  $90^\circ$ .

# Disc handwheels, aluminium with revolving cylindrical grip, Form E with reamed hole

Item description/product images



## Drawings



## Overview of items

Order No.	Main colour	Form	Form definition	A	D1	D2	D3	D4	L1	L3	H	L	L2	D5
K1521.080101	black	E	with reamed hole	27	80	10	26	13,9	16	29	16,6	68	39	M4
K1521.080121	black	E	with reamed hole	27	80	12	26	13,9	16	29	16,6	68	39	M4
K1521.100101	black	E	with reamed hole	33	100	10	28	16	17	33	17,5	81	48	M5
K1521.100121	black	E	with reamed hole	33	100	12	28	16	17	33	17,5	81	48	M5

# Disc handwheels, aluminium with revolving cylindrical grip, Form E with reamed hole

## Overview of items

Order No.	Main colour	Form	Form definition	A	D1	D2	D3	D4	L1	L3	H	L	L2	D5
K1521.125121	black	E	with reamed hole	42	125	12	31	19,9	18	36	18,3	96	60	M6
K1521.125141	black	E	with reamed hole	42	125	14	31	19,9	18	36	18,3	96	60	M6
K1521.080102	silver	E	with reamed hole	27	80	10	26	13,9	16	29	16,6	68	39	M4
K1521.080122	silver	E	with reamed hole	27	80	12	26	13,9	16	29	16,6	68	39	M4
K1521.100102	silver	E	with reamed hole	33	100	10	28	16	17	33	17,5	81	48	M5
K1521.100122	silver	E	with reamed hole	33	100	12	28	16	17	33	17,5	81	48	M5
K1521.125122	silver	E	with reamed hole	42	125	12	31	19,9	18	36	18,3	96	60	M6
K1521.125142	silver	E	with reamed hole	42	125	14	31	19,9	18	36	18,3	96	60	M6