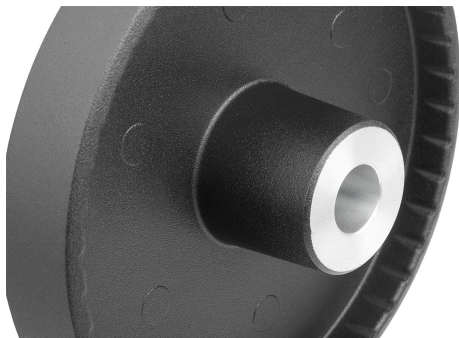
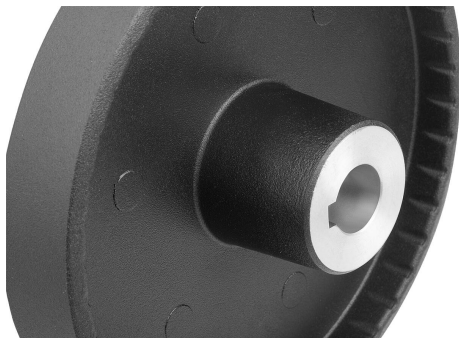
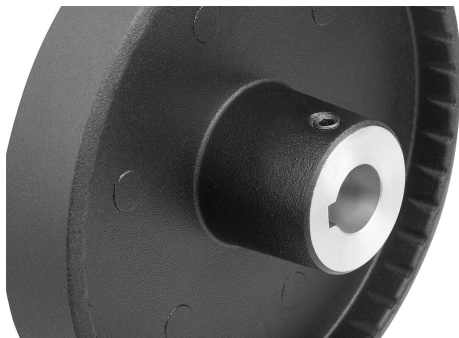
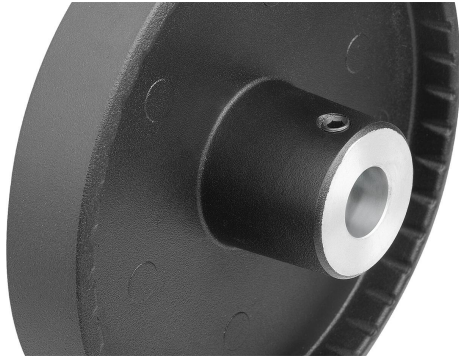
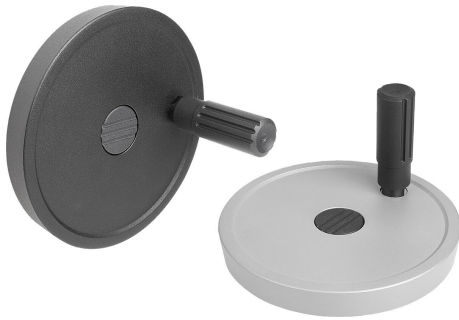


Disc handwheels, aluminium with revolving cylindrical grip

Item description/product images



Description

Material:

Handwheel aluminium.
Cylinder grip and hub cover black thermoplastic.
Cylinder grip pin black oxidised steel.
ISO 4027 grub screw, steel grade 45 H, black.

Version:

Black or silver powder-coated.

With reamed hole.

With reamed hole and keyway.

With reamed hole and transverse bore.

With reamed hole, keyway and transverse bore.

Note:

Wheel rim radial and axial run-out ≤ 0.4 mm.

Assembly:

The hub cover and the revolving cylinder grip are supplied unassembled. To assemble, screw the grip into the tapped hole.

The handwheels can be secured to a shaft using a transverse pin or by parallel key connection together with a DIN 6912 cap screw and a handwheel washer K0173.

By the versions with transverse bore, fixation is carried out using an ISO 4027 grub screw.

Supplied with:

Aluminium handwheel.

Hub cover.

Revolving cylinder grip.

ISO 4027 grub screw (type with transverse bore).

Accessory:

K0173 Handwheel washers.

K1160 Socket head screws with low head DIN 6912.

Drawing reference:

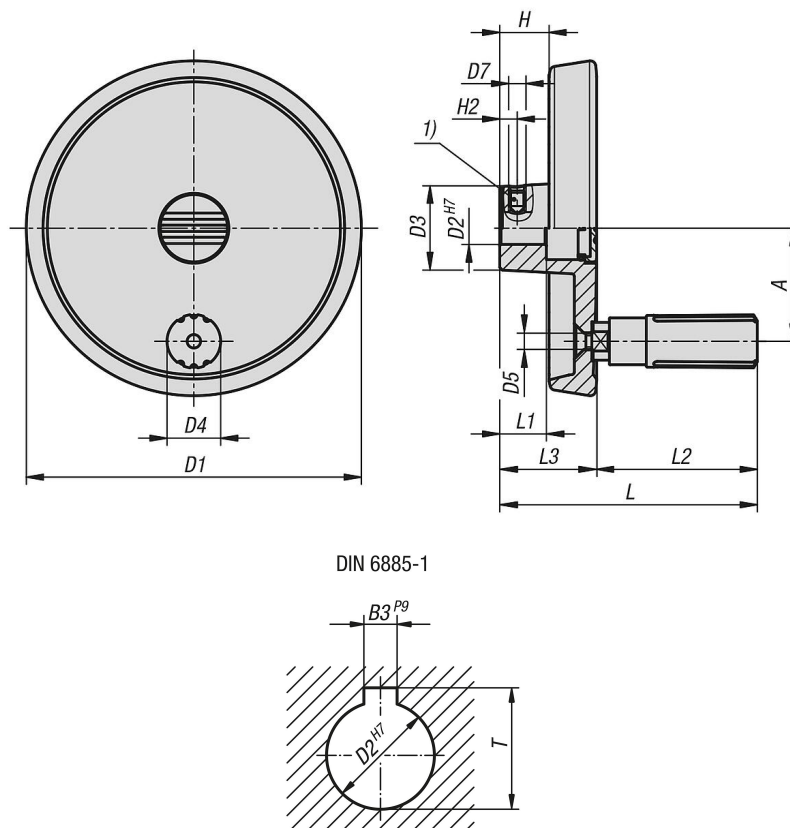
1) Position of the transverse bore to the keyway is offset by 90°.

Disc handwheels, aluminium with revolving cylindrical grip

Item description/product images



Drawings



Overview of items

Disc handwheels, aluminium with revolving cylindrical grip

Order No.	Main colour	Form	Form definition	A	D1	D2	D3	D4	L1	L3	H	H2	D7	B3	T	L	L2	D5
K1521.0801016	black	A	reamed hole with tranverse bore	27	80	10	26	13,9	16	29	16,6	5,5	M6	-	-	68	39	M4
K1521.0801216	black	A	reamed hole with tranverse bore	27	80	12	26	13,9	16	29	16,6	6,5	M6	-	-	68	39	M4

Disc handwheels, aluminium with revolving cylindrical grip

Overview of items

Order No.	Main colour	Form	Form definition	A	D1	D2	D3	D4	L1	L3	H	H2	D7	B3	T	L	L2	D5
K1521.1001016	black	A	reamed hole with tranverse bore	33	100	10	28	16	17	33	17,5	5,5	M6	-	-	81	48	M5
K1521.1001216	black	A	reamed hole with tranverse bore	33	100	12	28	16	17	33	17,5	6,5	M6	-	-	81	48	M5
K1521.1251216	black	A	reamed hole with tranverse bore	42	125	12	31	19,9	18	36	18,3	6,5	M6	-	-	96	60	M6
K1521.1251416	black	A	reamed hole with tranverse bore	42	125	14	31	19,9	18	36	18,3	6,5	M6	-	-	96	60	M6
K1521.0801026	silver	A	reamed hole with tranverse bore	27	80	10	26	13,9	16	29	16,6	5,5	M6	-	-	68	39	M4
K1521.0801226	silver	A	reamed hole with tranverse bore	27	80	12	26	13,9	16	29	16,6	6,5	M6	-	-	68	39	M4
K1521.1001026	silver	A	reamed hole with tranverse bore	33	100	10	28	16	17	33	17,5	5,5	M6	-	-	81	48	M5
K1521.1001226	silver	A	reamed hole with tranverse bore	33	100	12	28	16	17	33	17,5	6,5	M6	-	-	81	48	M5
K1521.1251226	silver	A	reamed hole with tranverse bore	42	125	12	31	19,9	18	36	18,3	6,5	M6	-	-	96	60	M6
K1521.1251426	silver	A	reamed hole with tranverse bore	42	125	14	31	19,9	18	36	18,3	6,5	M6	-	-	96	60	M6
K1521.080101036	black	B	reamed hole with slot, with tranverse bore	27	80	10	26	13,9	16	29	16,6	5,5	M6	3	11,4	68	39	M4
K1521.080121046	black	B	reamed hole with slot, with tranverse bore	27	80	12	26	13,9	16	29	16,6	6,5	M6	4	13,8	68	39	M4
K1521.100101036	black	B	reamed hole with slot, with tranverse bore	33	100	10	28	16	17	33	17,5	5,5	M6	3	11,4	81	48	M5
K1521.100121046	black	B	reamed hole with slot, with tranverse bore	33	100	12	28	16	17	33	17,5	6,5	M6	4	13,8	81	48	M5
K1521.125121046	black	B	reamed hole with slot, with tranverse bore	42	125	12	31	19,9	18	36	18,3	6,5	M6	4	13,8	96	60	M6
K1521.125141056	black	B	reamed hole with slot, with tranverse bore	42	125	14	31	19,9	18	36	18,3	6,5	M6	5	16,3	96	60	M6
K1521.080102036	silver	B	reamed hole with slot, with tranverse bore	27	80	10	26	13,9	16	29	16,6	5,5	M6	3	11,4	68	39	M4
K1521.080122046	silver	B	reamed hole with slot, with tranverse bore	27	80	12	26	13,9	16	29	16,6	6,5	M6	4	13,8	68	39	M4
K1521.100102036	silver	B	reamed hole with slot, with tranverse bore	33	100	10	28	16	17	33	17,5	5,5	M6	3	11,4	81	48	M5
K1521.100122046	silver	B	reamed hole with slot, with tranverse bore	33	100	12	28	16	17	33	17,5	6,5	M6	4	13,8	81	48	M5
K1521.125122046	silver	B	reamed hole with slot, with tranverse bore	42	125	12	31	19,9	18	36	18,3	6,5	M6	4	13,8	96	60	M6
K1521.125142056	silver	B	reamed hole with slot, with tranverse bore	42	125	14	31	19,9	18	36	18,3	6,5	M6	5	16,3	96	60	M6
K1521.08010103	black	C	reamed hole with slot	27	80	10	26	13,9	16	29	16,6	-	-	3	11,4	68	39	M4
K1521.08012104	black	C	reamed hole with slot	27	80	12	26	13,9	16	29	16,6	-	-	4	13,8	68	39	M4
K1521.10010103	black	C	reamed hole with slot	33	100	10	28	16	17	33	17,5	-	-	3	11,4	81	48	M5
K1521.10012104	black	C	reamed hole with slot	33	100	12	28	16	17	33	17,5	-	-	4	13,8	81	48	M5
K1521.12512104	black	C	reamed hole with slot	42	125	12	31	19,9	18	36	18,3	-	-	4	13,8	96	60	M6
K1521.12514105	black	C	reamed hole with slot	42	125	14	31	19,9	18	36	18,3	-	-	5	16,3	96	60	M6
K1521.08010203	silver	C	reamed hole with slot	27	80	10	26	13,9	16	29	16,6	-	-	3	11,4	68	39	M4
K1521.08012204	silver	C	reamed hole with slot	27	80	12	26	13,9	16	29	16,6	-	-	4	13,8	68	39	M4
K1521.10010203	silver	C	reamed hole with slot	33	100	10	28	16	17	33	17,5	-	-	3	11,4	81	48	M5
K1521.10012204	silver	C	reamed hole with slot	33	100	12	28	16	17	33	17,5	-	-	4	13,8	81	48	M5
K1521.12512204	silver	C	reamed hole with slot	42	125	12	31	19,9	18	36	18,3	-	-	4	13,8	96	60	M6
K1521.12514205	silver	C	reamed hole with slot	42	125	14	31	19,9	18	36	18,3	-	-	5	16,3	96	60	M6
K1521.080101	black	E	with reamed hole	27	80	10	26	13,9	16	29	16,6	-	-	-	-	68	39	M4
K1521.080121	black	E	with reamed hole	27	80	12	26	13,9	16	29	16,6	-	-	-	-	68	39	M4
K1521.100101	black	E	with reamed hole	33	100	10	28	16	17	33	17,5	-	-	-	-	81	48	M5
K1521.100121	black	E	with reamed hole	33	100	12	28	16	17	33	17,5	-	-	-	-	81	48	M5
K1521.125121	black	E	with reamed hole	42	125	12	31	19,9	18	36	18,3	-	-	-	-	96	60	M6
K1521.125141	black	E	with reamed hole	42	125	14	31	19,9	18	36	18,3	-	-	-	-	96	60	M6
K1521.080102	silver	E	with reamed hole	27	80	10	26	13,9	16	29	16,6	-	-	-	-	68	39	M4
K1521.080122	silver	E	with reamed hole	27	80	12	26	13,9	16	29	16,6	-	-	-	-	68	39	M4
K1521.100102	silver	E	with reamed hole	33	100	10	28	16	17	33	17,5	-	-	-	-	81	48	M5
K1521.100122	silver	E	with reamed hole	33	100	12	28	16	17	33	17,5	-	-	-	-	81	48	M5
K1521.125122	silver	E	with reamed hole	42	125	12	31	19,9	18	36	18,3	-	-	-	-	96	60	M6
K1521.125142	silver	E	with reamed hole	42	125	14	31	19,9	18	36	18,3	-	-	-	-	96	60	M6