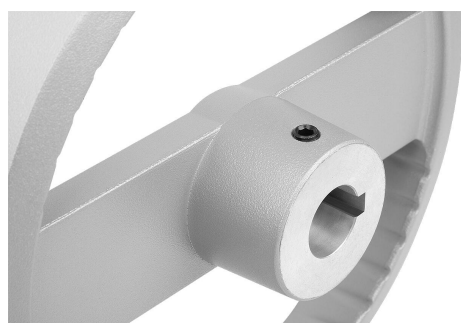
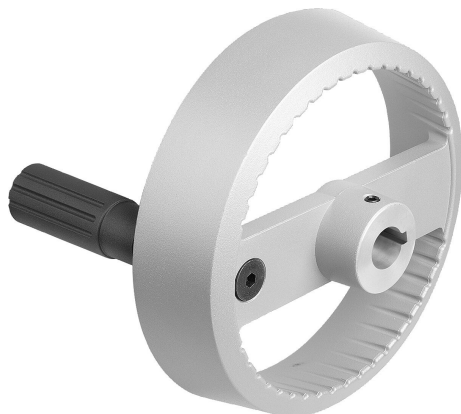


2-spoke handwheels, aluminium, with fold-down cylinder grip, Form B with reamed hole, keyway and transverse bore

Item description/product images



Description

Material:

Handwheel aluminium.

Cylinder grip and hub cover black thermoplastic.

Cylinder grip pin black oxidised steel.

ISO 4027 grub screw, steel grade 45 H, black.

Version:

Black or silver powder-coated.

Note:

Wheel rim radial and axial run-out ≤ 0.4 mm.

Assembly:

The hub cover is supplied unassembled.

The handwheels can be secured to a shaft using a transverse pin or by parallel key connection together with a DIN 6912 cap screw and a handwheel washer K0173.

By the versions with transverse bore, fixation is carried out using an ISO 4027 grub screw.

Supplied with:

Aluminium handwheel.

Hub cover.

Fold-down cylinder grip.

ISO 4027 grub screw (type with transverse bore).

Accessory:

K0173 Handwheel washers.

K1160 Socket head screws with low head DIN 6912.

Drawing reference:

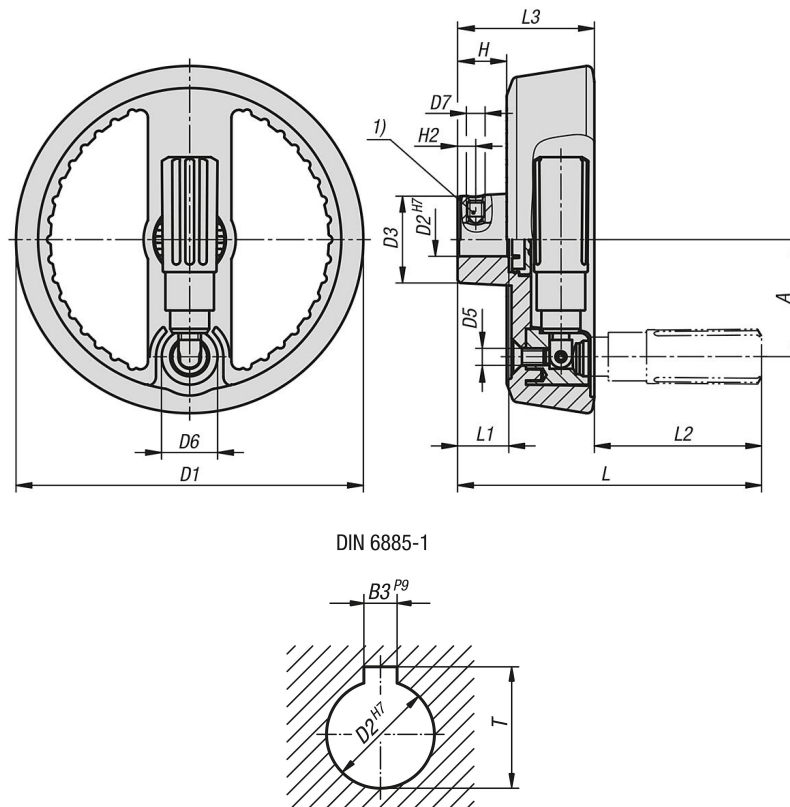
1) Position of the transverse bore to the keyway is offset by 90° .

2-spoke handwheels, aluminium, with fold-down cylinder grip, Form B with reamed hole, keyway and transverse bore

Item description/product images



Drawings



Overview of items

Order No.	Main colour	Form	Form definition	A	B3	D1	D2	D3	D4	D5	D6	D7	H	H2	L	L1	L2	L3	T
K1525.125121046	black	B	reamed hole with slot, with transverse bore	42	4	125	12	31	19,9	M6	20	M6	17,6	6,5	105	18	56	49	13,8

2-spoke handwheels, aluminium, with fold-down cylinder grip, Form B with reamed hole, keyway and transverse bore

Overview of items

Order No.	Main colour	Form	Form definition	A	B3	D1	D2	D3	D4	D5	D6	D7	H	H2	L	L1	L2	L3	T
K1525.125141056	black	B	reamed hole with slot, with transverse bore	42	5	125	14	31	19,9	M6	20	M6	17,6	6,5	105	18	56	49	16,3
K1525.160141056	black	B	reamed hole with slot, with transverse bore	55	5	160	14	36	26	M8	26	M6	17,8	6,5	137	20	80	57	16,3
K1525.160161056	black	B	reamed hole with slot, with transverse bore	55	5	160	16	36	26	M8	26	M6	17,8	8	137	20	80	57	18,3
K1525.125122046	silver	B	reamed hole with slot, with transverse bore	42	4	125	12	31	19,9	M6	20	M6	17,6	6,5	105	18	56	49	13,8
K1525.125142056	silver	B	reamed hole with slot, with transverse bore	42	5	125	14	31	19,9	M6	20	M6	17,6	6,5	105	18	56	49	16,3
K1525.160142056	silver	B	reamed hole with slot, with transverse bore	55	5	160	14	36	26	M8	26	M6	17,8	6,5	137	20	80	57	16,3
K1525.160162056	silver	B	reamed hole with slot, with transverse bore	55	5	160	16	36	26	M8	26	M6	17,8	8	137	20	80	57	18,3