

Handwheels 2-spoke plastic, with revolving grip

Item description/product images



Description

Material:

Handwheel, reinforced and stabilised polyamide.
Centre caps, polyamide.
Centre bushes, steel.
Tapped insert for cylinder grip, brass.

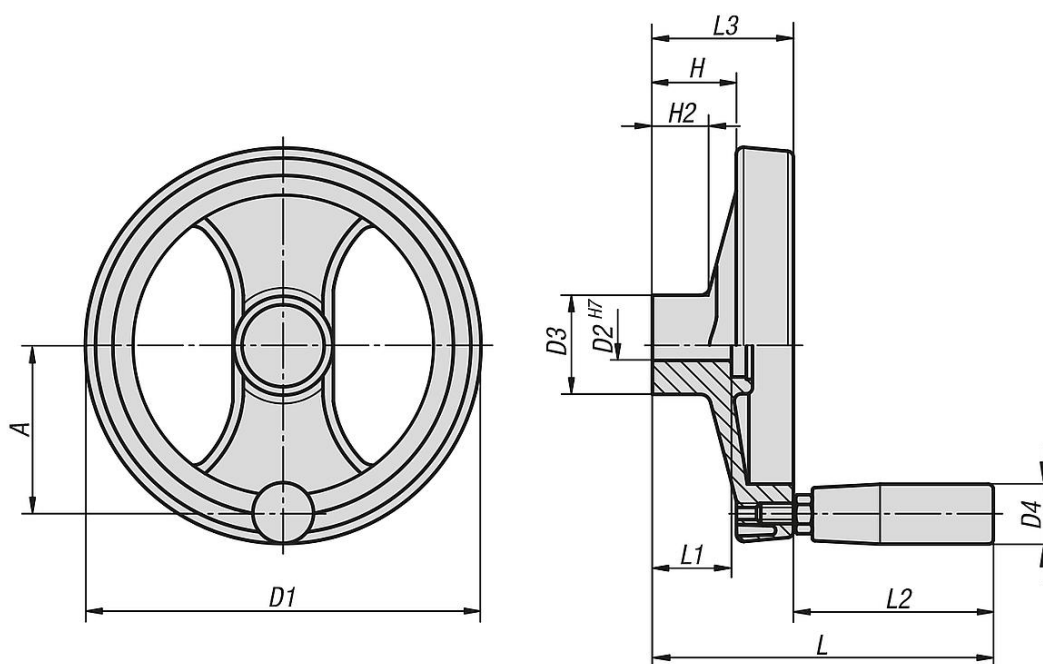
Version:

Handwheel, oil and grease resistant, black (RAL 9011), satin finish.
Centre caps, grey (RAL 7035).
Centre bushes, black oxidised.

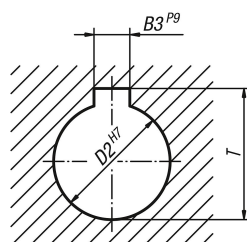
On request:

Other cap colours.
Special versions.

Drawings



DIN 6885-1



Handwheels 2-spoke plastic, with revolving grip

Overview of items

Order No.	Version 1	D1	D2	D3	D4	H	H2	A	L	L1	L2	L3	B3	T
K0725.4080X08	reamed hole	80	8H7	24,5	20	20	16	30	85	20	51	34	-	-
K0725.4080X10	reamed hole	80	10H7	24,5	20	20	16	30	85	20	51	34	-	-
K0725.4100X10	reamed hole	99	10H7	28	20	25,5	20	38	93	24	51	43	-	-
K0725.4100X12	reamed hole	99	12H7	28	20	25,5	20	38	93	24	51	43	-	-
K0725.4130X12	reamed hole	129	12H7	32	23	30	21	55	112	24	62	50	-	-
K0725.4130X14	reamed hole	129	14H7	32	23	30	21	55	112	24	62	50	-	-
K0725.4160X14	reamed hole	159	14H7	40	23	33	22	66	119	32	62	57	-	-
K0725.4160X16	reamed hole	159	16H7	40	23	33	22	66	119	32	62	57	-	-
K0725.4200X16	reamed hole	198	16H7	51	26	31	17,5	82	141	32	81	60	-	-
K0725.4200X20	reamed hole	198	20H7	51	26	31	17,5	82	141	32	81	60	-	-
K0725.4250X20	reamed hole	252	20H7	55,5	27	39,5	24	113	163	36	92	71	-	-
K0725.4250X24	reamed hole	252	24H7	55,5	27	39,5	24	113	163	36	92	71	-	-
K0725.4345X20	reamed hole	346	20H7	67,5	27	42	24	146	171	32	92	79	-	-
K0725.5080X08	reamed hole with slot	80	8H7	24,5	20	20	16	30	85	20	51	34	2	9
K0725.5080X10	reamed hole with slot	80	10H7	24,5	20	20	16	30	85	20	51	34	3	11,4
K0725.5100X10	reamed hole with slot	99	10H7	28	20	25,5	20	38	93	24	51	43	3	11,4
K0725.5100X12	reamed hole with slot	99	12H7	28	20	25,5	20	38	93	24	51	43	4	13,8
K0725.5130X12	reamed hole with slot	129	12H7	32	23	30	21	55	112	24	62	50	4	13,8
K0725.5130X14	reamed hole with slot	129	14H7	32	23	30	21	55	112	24	62	50	5	16,3
K0725.5160X14	reamed hole with slot	159	14H7	40	23	33	22	66	119	32	62	57	5	16,3
K0725.5160X16	reamed hole with slot	159	16H7	40	23	33	22	66	119	32	62	57	5	18,3
K0725.5200X16	reamed hole with slot	198	16H7	51	26	31	17,5	82	141	32	81	60	5	18,3
K0725.5200X20	reamed hole with slot	198	20H7	51	26	31	17,5	82	141	32	81	60	6	22,8
K0725.5250X20	reamed hole with slot	252	20H7	55,5	27	39,5	24	113	163	36	92	71	6	22,8
K0725.5250X24	reamed hole with slot	252	24H7	55,5	27	39,5	24	113	163	36	92	71	8	27,3
K0725.5345X20	reamed hole with slot	346	20H7	67,5	27	42	24	146	171	32	92	79	6	22,8