

Handwheels for position indicators

Item description/product images



Description

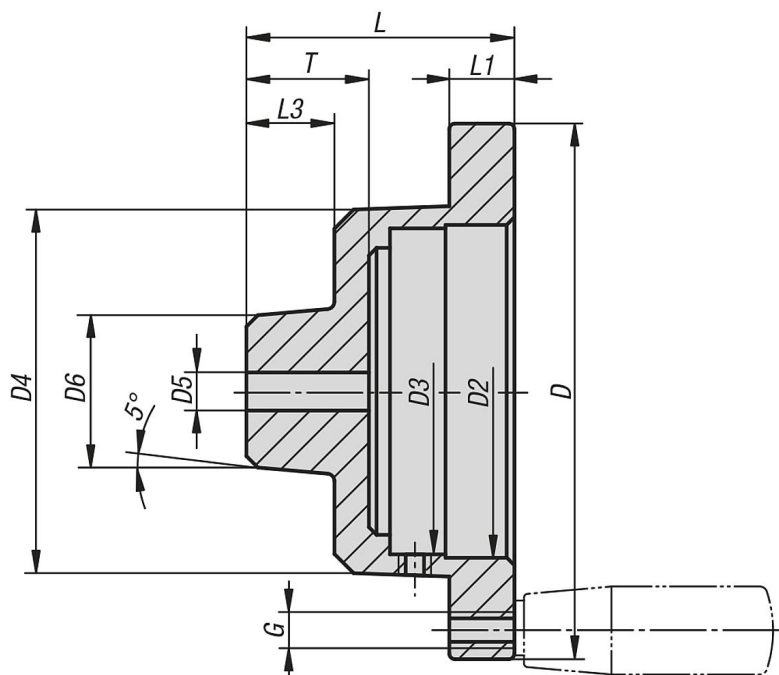
Material:
Cast aluminium.

Version:
Bright.

Note:
The handwheels have a recess for receiving position indicators.

Accessory:
– Position Indicators K1929
– Handles K0166 / K0167 / K0168 / K0169 / K0170 / K0172 / K0651 / K1000 / K1199 / K1201 / K1202 / K1209 / K1221

Drawings



Overview of items

Handwheels for position indicators

Order No.	Size	D	D2	D3	D4	D5 predrilled	D6	G	L	L1	L3	T	Suitable for
K1930.801201	80	120	87	85,2	95	6,8	40	M6	64	15	23	30	position indicator size 80
K1930.801401	80	140	87	85,2	95	6,8	40	M8	70	17	23	30	position indicator size 80

