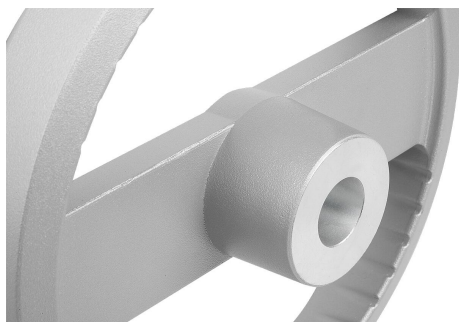
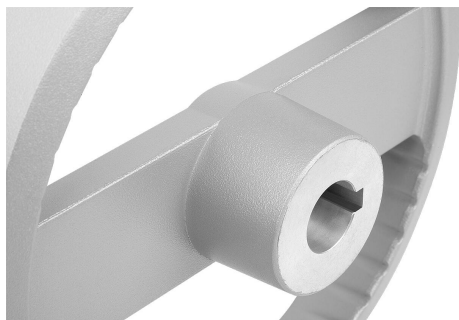
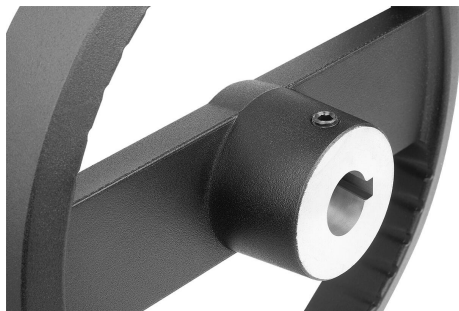
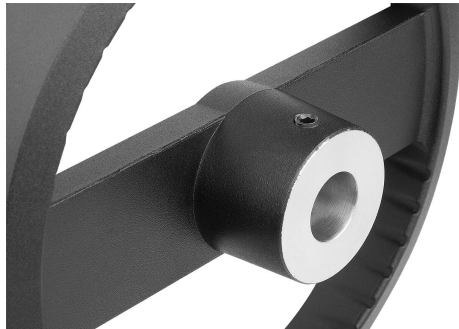


## 2-spoke handwheels, aluminium with revolving cylinder grip

### Item description/product images



### Description

#### Material:

Handwheel aluminium.  
Cylinder grip and hub cover black thermoplastic.  
Cylinder grip pin black oxidised steel.  
ISO 4027 grub screw, steel grade 45 H, black.

#### Version:

Black or silver powder-coated.

With reamed hole.

With reamed hole and keyway.

With reamed hole and transverse bore.

With reamed hole, keyway and transverse bore.

#### Note:

Wheel rim radial and axial run-out  $\leq 0.4$  mm.

#### Assembly:

The hub cover and the revolving cylinder grip are supplied unassembled. To assemble, screw the grip into the tapped hole.

The handwheels can be secured to a shaft using a transverse pin or by parallel key connection together with a DIN 6912 cap screw and a handwheel washer K0173.

By the versions with transverse bore, fixation is carried out using an ISO 4027 grub screw.

#### Supplied with:

Aluminium handwheel.

Hub cover.

Revolving cylinder grip.

ISO 4027 grub screw (type with transverse bore).

#### Accessory:

K0173 Handwheel washers.

K1160 Socket head screws with low head DIN 6912.

#### Drawing reference:

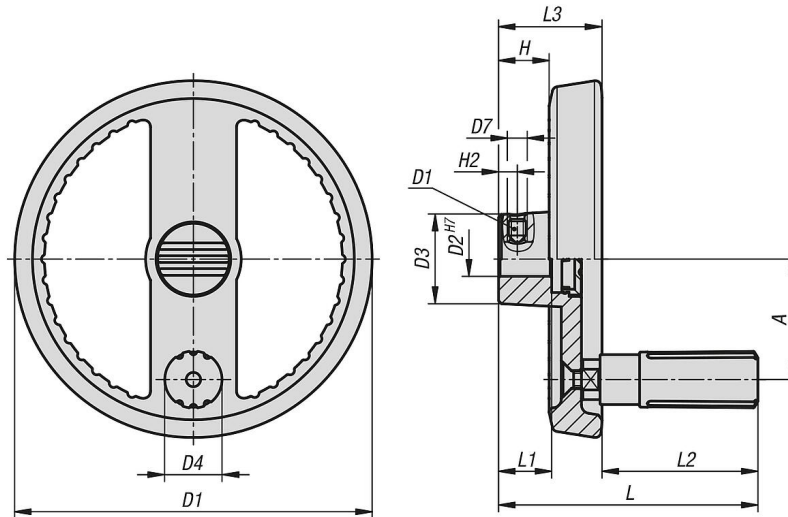
1) Position of the transverse bore to the keyway is offset by 90°.

## 2-spoke handwheels, aluminium with revolving cylinder grip

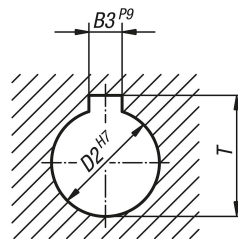
### Item description/product images



### Drawings



DIN 6885-1



### Overview of items

#### 2-spoke handwheels, aluminium with revolving cylinder grip

Order No.	Main colour	Form	Form definition	A	B3	D1	D2	D3	D4	D5	D7	H	H2	L	L1	L2	L3	T
K1524.1251216	black	A	reamed hole with tranverse bore	42	-	125	12	31	19,9	M6	M6	17,6	6,5	90,5	18	54,5	36	-
K1524.1251416	black	A	reamed hole with tranverse bore	42	-	125	14	31	19,9	M6	M6	17,6	6,5	90,5	18	54,5	36	-
K1524.1601416	black	A	reamed hole with tranverse bore	55	-	160	14	36	25,2	M8	M6	19,4	6,5	116,5	20	76,5	40	-
K1524.1601616	black	A	reamed hole with tranverse bore	55	-	160	16	36	25,2	M8	M6	19,4	8	116,5	20	76,5	40	-

## 2-spoke handwheels, aluminium with revolving cylinder grip

### Overview of items

Order No.	Main colour	Form	Form definition	A	B3	D1	D2	D3	D4	D5	D7	H	H2	L	L1	L2	L3	T
K1524.1251226	silver	A	reamed hole with tranverse bore	42	-	125	12	31	19,9	M6	M6	17,6	6,5	90,5	18	54,5	36	-
K1524.1251426	silver	A	reamed hole with tranverse bore	42	-	125	14	31	19,9	M6	M6	17,6	6,5	90,5	18	54,5	36	-
K1524.1601426	silver	A	reamed hole with tranverse bore	55	-	160	14	36	25,2	M8	M6	19,4	6,5	116,5	20	76,5	40	-
K1524.1601626	silver	A	reamed hole with tranverse bore	55	-	160	16	36	25,2	M8	M6	19,4	8	116,5	20	76,5	40	-
K1524.125121046	black	B	reamed hole with slot, with transverse bore	42	4	125	12	31	19,9	M6	M6	17,6	6,5	90,5	18	54,5	36	13,8
K1524.125141056	black	B	reamed hole with slot, with transverse bore	42	5	125	14	31	19,9	M6	M6	17,6	6,5	90,5	18	54,5	36	16,3
K1524.160141056	black	B	reamed hole with slot, with transverse bore	55	5	160	14	36	25,2	M8	M6	19,4	6,5	116,5	20	76,5	40	16,3
K1524.160161056	black	B	reamed hole with slot, with transverse bore	55	5	160	16	36	25,2	M8	M6	19,4	8	116,5	20	76,5	40	18,3
K1524.125122046	silver	B	reamed hole with slot, with transverse bore	42	4	125	12	31	19,9	M6	M6	17,6	6,5	90,5	18	54,5	36	13,8
K1524.125142056	silver	B	reamed hole with slot, with transverse bore	42	5	125	14	31	19,9	M6	M6	17,6	6,5	90,5	18	54,5	36	16,3
K1524.160142056	silver	B	reamed hole with slot, with transverse bore	55	5	160	14	36	25,2	M8	M6	19,4	6,5	116,5	20	76,5	40	16,3
K1524.160162056	silver	B	reamed hole with slot, with transverse bore	55	5	160	16	36	25,2	M8	M6	19,4	8	116,5	20	76,5	40	18,3
K1524.12512104	black	C	reamed hole with slot	42	4	125	12	31	19,9	M6	-	17,6	-	90,5	18	54,5	36	13,8
K1524.12514105	black	C	reamed hole with slot	42	5	125	14	31	19,9	M6	-	17,6	-	90,5	18	54,5	36	16,3
K1524.16014105	black	C	reamed hole with slot	55	5	160	14	36	25,2	M8	-	19,4	-	116,5	20	76,5	40	16,3
K1524.16016105	black	C	reamed hole with slot	55	5	160	16	36	25,2	M8	-	19,4	-	116,5	20	76,5	40	18,3
K1524.12512204	silver	C	reamed hole with slot	42	4	125	12	31	19,9	M6	-	17,6	-	90,5	18	54,5	36	13,8
K1524.12514205	silver	C	reamed hole with slot	42	5	125	14	31	19,9	M6	-	17,6	-	90,5	18	54,5	36	16,3
K1524.16014205	silver	C	reamed hole with slot	55	5	160	14	36	25,2	M8	-	19,4	-	116,5	20	76,5	40	16,3
K1524.16016205	silver	C	reamed hole with slot	55	5	160	16	36	25,2	M8	-	19,4	-	116,5	20	76,5	40	18,3
K1524.125121	black	E	with reamed hole	42	-	125	12	31	19,9	M6	-	17,6	-	90,5	18	54,5	36	-
K1524.125141	black	E	with reamed hole	42	-	125	14	31	19,9	M6	-	17,6	-	90,5	18	54,5	36	-
K1524.160141	black	E	with reamed hole	55	-	160	14	36	25,2	M8	-	19,4	-	116,5	20	76,5	40	-
K1524.160161	black	E	with reamed hole	55	-	160	16	36	25,2	M8	-	19,4	-	116,5	20	76,5	40	-
K1524.125122	silver	E	with reamed hole	42	-	125	12	31	19,9	M6	-	17,6	-	90,5	18	54,5	36	-
K1524.125142	silver	E	with reamed hole	42	-	125	14	31	19,9	M6	-	17,6	-	90,5	18	54,5	36	-
K1524.160142	silver	E	with reamed hole	55	-	160	14	36	25,2	M8	-	19,4	-	116,5	20	76,5	40	-
K1524.160162	silver	E	with reamed hole	55	-	160	16	36	25,2	M8	-	19,4	-	116,5	20	76,5	40	-