

## 2-spoke handwheels, aluminium, without grip, Form B with reamed hole, keyway and transverse bore

Item description/product images



### Description

#### Material:

Handwheel aluminium.

Hub cover black thermoplastic.

ISO 4027 grub screw, steel grade 45 H, black.

#### Version:

Black or silver powder-coated.

#### Note:

Wheel rim radial and axial run-out  $\leq 0.4$  mm.

#### Assembly:

The hub cover is supplied unassembled.

The handwheels can be secured to a shaft using a transverse pin or by parallel key connection together with a DIN 6912 cap screw and a handwheel washer K0173.

By the versions with transverse bore, fixation is carried out using an ISO 4027 grub screw.

#### Supplied with:

Aluminium handwheel.

Hub cover.

ISO 4027 grub screw (type with transverse bore).

#### Accessory:

K0173 Handwheel washers.

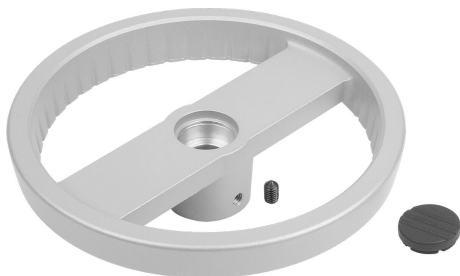
K1160 Socket head screws with low head DIN 6912.

#### Drawing reference:

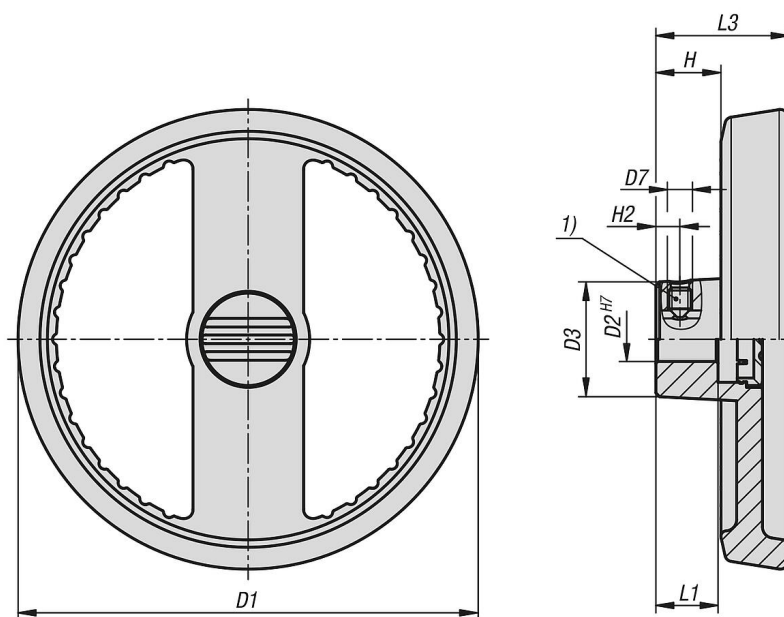
1) Position of the transverse bore to the keyway is offset by 90°.

2-spoke handwheels, aluminium, without grip, Form B with reamed hole, keyway and transverse bore

Item description/product images

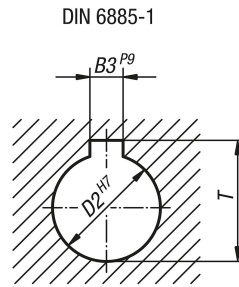


Drawings



**2-spoke handwheels, aluminium, without grip, Form B with reamed hole, keyway and transverse bore**

Drawings



**Overview of items**

Order No.	Main colour	Form	Form definition	D1	D2	D3	L1	L3	H	H2	D7	B3	T
<b>K1523.125121046</b>	black	B	Reamed hole with slot, with transverse bore	125	12	31	18	36	17,6	6,5	M6	4	13,8
<b>K1523.125141056</b>	black	B	Reamed hole with slot, with transverse bore	125	14	31	18	36	17,6	6,5	M6	5	16,3
<b>K1523.160141056</b>	black	B	Reamed hole with slot, with transverse bore	160	14	36	20	40	19,4	6,5	M6	5	16,3
<b>K1523.160161056</b>	black	B	Reamed hole with slot, with transverse bore	160	16	36	20	40	19,4	8	M6	5	18,3
<b>K1523.125122046</b>	silver	B	Reamed hole with slot, with transverse bore	125	12	31	18	36	17,6	6,5	M6	4	13,8
<b>K1523.125142056</b>	silver	B	Reamed hole with slot, with transverse bore	125	14	31	18	36	17,6	6,5	M6	5	16,3
<b>K1523.160142056</b>	silver	B	Reamed hole with slot, with transverse bore	160	14	36	20	40	19,4	6,5	M6	5	16,3
<b>K1523.160162056</b>	silver	B	Reamed hole with slot, with transverse bore	160	16	36	20	40	19,4	8	M6	5	18,3