

## Item description/product images



press to  
engage  
(safety function)



## Description

**Product description:**

Clamping levers with safety function prevent changes in the locking point through accidental opening or closing.

In the default position, the lever can be freely rotated and has no connection to the clamping point. The grip lever only engages when pushed down and the clamp can be loosened or tightened.

A spring sets the lever automatically into the default position when released.

**Material:**

Handle and insert made from reinforced plastic.

Bush, steel.

**Advantages:**

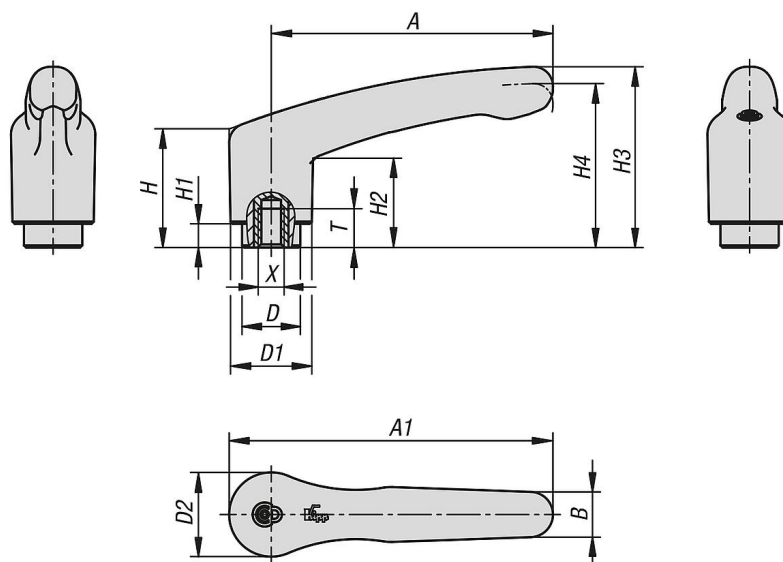
Protection against accidental opening or closing.

Closed grip contour without protruding edges.

**On request:**

Special versions.

## Drawings



## Overview of items

Order No.	Main colour	X	T	D	D1	D2	H	H1	H2	H3	H4	A	A1	B	No. of teeth
06613-10-2051	black grey RAL 7021	M5	7,5	13,5	18,8	19,5	27,4	5,5	20,7	41,9	38	65,2	75	10,5	12
06613-10-2061	black grey RAL 7021	M6	9	13,5	18,8	19,5	27,4	5,5	20,7	41,9	38	65,2	75	10,5	12
06613-10-2081	black grey RAL 7021	M8	9	13,5	18,8	19,5	27,4	5,5	20,7	41,9	38	65,2	75	10,5	12

## Overview of items

Order No.	Main colour	X	T	D	D1	D2	H	H1	H2	H3	H4	A	A1	B	No. of teeth
06613-10-20584	red RAL 3020	M5	7,5	13,5	18,8	19,5	27,4	5,5	20,7	41,9	38	65,2	75	10,5	12
06613-10-20684	red RAL 3020	M6	9	13,5	18,8	19,5	27,4	5,5	20,7	41,9	38	65,2	75	10,5	12
06613-10-20884	red RAL 3020	M8	9	13,5	18,8	19,5	27,4	5,5	20,7	41,9	38	65,2	75	10,5	12