

## Item description/product images

**Description****Material:**

Handle die-cast zinc DIN EN 12844.  
Steel parts stainless steel 1.4305.

**Version:**

Handle plastic-coated or high-gloss chromed.  
Steel parts bright.

**Note:**

Δ Add the desired lever colour here.

Standard colours are:

black satin finish, orange RAL 2004, ruby red RAL 3003, silver metallic, high-gloss chromed.

**On request:**

Other external threads, screw lengths, colours and special versions.

Dimension "H1" available in other lengths at extra charge.

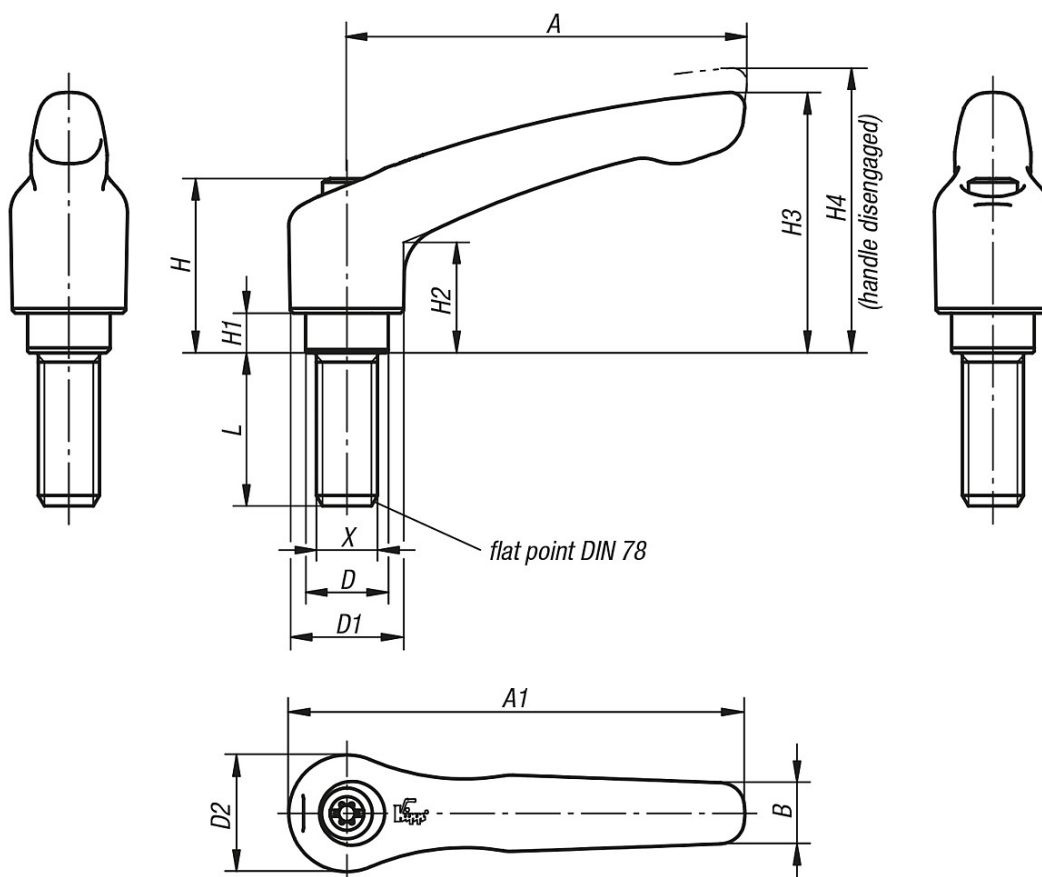
Item description/product images



Item description/product images



Drawings



Overview of items

Order No.	Size	X	D	D1	D2	H	H1	H2	H3	H4	A	A1	B	L	No. of teeth
06461-004ΔX	0	M4	10	13	14	24,5	4	14,5	30	33	30	37	7	10/15/20/25	16
06461-005ΔX	0	M5	10	13	14	24,5	4	14,5	30	33	30	37	7	10/15/20/25	16
06461-105ΔX	1	M5	10	13	14	24,5	4	14,5	31	34	40	47	7	10/15/20/25	16
06461-106ΔX	1	M6	10	13	14	24,5	4	14,5	31	34	40	47	7	10/15/20/25/30/40/50	16

## Overview of items

Order No.	Size	X	D	D1	D2	H	H1	H2	H3	H4	A	A1	B	L	No. of teeth
06461-206ΔX	2	M6	13,5	18,5	19	28,5	6,5	17,5	42,5	45,5	65	74,5	9,5	15/20/25/30/40/50/60	20
06461-208ΔX	2	M8	13,5	18,5	19	28,5	6,5	17,5	42,5	45,5	65	74,5	9,5	15/20/25/30/40/50/60	20
06461-210ΔX	2	M10	13,5	18,5	19	28,5	6,5	17,5	42,5	45,5	65	74,5	9,5	20/25/30/40/50/60	20
06461-308ΔX	3	M8	16	21	22	37	10	24	54,5	58,5	80	91	11	20/25/30/40/50/60	22
06461-310ΔX	3	M10	16	21	22	37	10	24	54,5	58,5	80	91	11	20/25/30/40/50/60	22
06461-412ΔX	4	M12	19	27	27,5	43	10	27	63	67,5	95	109	13	25/30/40/50/60	24
06461-516ΔX	5	M16	23	31	32	49	12	31,5	73	77,5	110	126	15	30/40/50/60	26