



lift to
disengage



Description

Material:

Handle die-cast zinc DIN EN 12844.
Steel parts stainless steel 1.4305.
Protective cap stainless steel 1.4305.

Version:

Handle plastic-coated.
Steel parts bright.

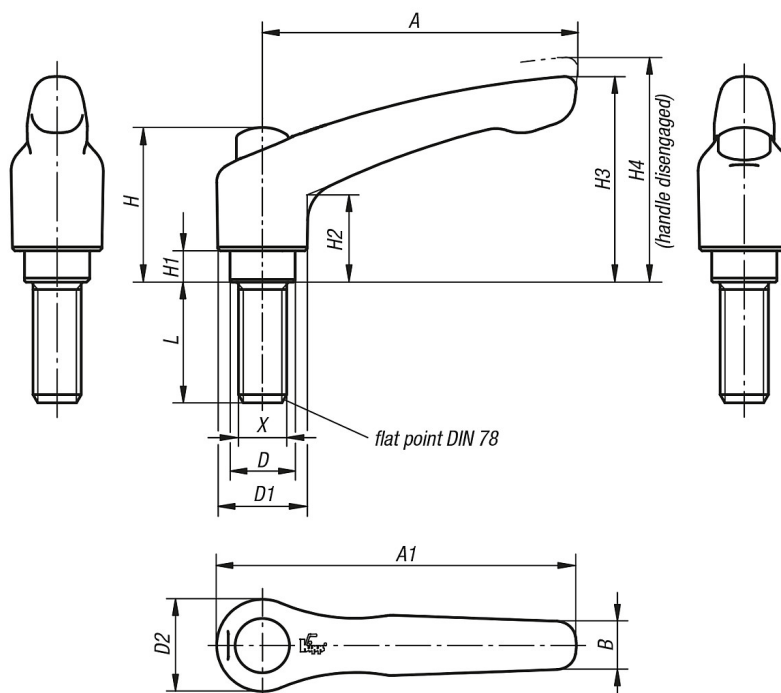
Note:

Standard colours are:
black satin finish, orange RAL 2004.

On request:

Other external threads, screw lengths, colours and special versions.
Dimension "H1" available in other lengths at extra charge.

Drawings



Overview of items

Specifications

Order No. black satin finish	Order No. orange	Size	X	D	D1	D2	H	H1	H2	H3	H4	A	A1	B	No. of teeth	L
06461-92061X	06461-92062X	2	M6	13,5	18,5	19	32	6,5	17,5	42,5	45,5	65	74,5	9,5	20	15/20/25/30/40/50/60
06461-92081X	06461-92082X	2	M8	13,5	18,5	19	32	6,5	17,5	42,5	45,5	65	74,5	9,5	20	15/20/25/30/40/50/60
06461-92101X	06461-92102X	2	M10	13,5	18,5	19	32	6,5	17,5	42,5	45,5	65	74,5	9,5	20	20/25/30/40/50/60
06461-93081X	06461-93082X	3	M8	16	21	22	41,5	10	24	54,5	58,5	80	91	11	22	20/25/30/40/50/60
06461-93101X	06461-93102X	3	M10	16	21	22	41,5	10	24	54,5	58,5	80	91	11	22	20/25/30/40/50/60