

Item description/product images



Description

Product description:

By using clamping levers with integrated clamping force intensifier, the clamping force can be increased by up to 75% compared to standard clamping levers.

Furthermore, this product can also be used by persons with limited hand strength (e.g. in rehabilitation) to achieve comparable clamping forces with less effort. Less effort is also needed to loosen the clamping lever.

The increase in clamping force is achieved by the integral needle roller thrust bearing, which generates very low surface friction on a rigid contact surface during clamping. The hardened thrust washers are designed for high clamping forces and the bearing with its high load rating guarantees a long service life.

The clamped component is permanently protected by the large, stationary contact surface. A washer is no longer required.

Due to the modular construction many special designs are available.

Material:

Handle die-cast zinc DIN EN 12844.
Steel parts grade 5.8.

Version:

Handle plastic-coated or high-gloss trivalent passivated
Steel parts, black oxidised.
Axial needle bearing with hardened and ground thrust washer.

Note:

Standard colours are:
black satin finish, orange RAL 2004, ruby red RAL 3003, silver metallic, high gloss chromed.

Type of operation:

In the default position, the handle is engaged with the threaded insert through a toothed ring. By lifting the handle, it can be repositioned and re-engaged in the toothed ring by spring force.

Application:

Machine, equipment and plant construction, rehabilitation sector.

Advantages:

Significant increase of the clamping force with the same tightening torque.
High quality axial needle bearing with high load rating and long service life.
The component surface is protected by the stationary lower ring

On request:

Other colours and thread lengths.

Drawing reference:

1) flat point DIN 78

Item description/product images



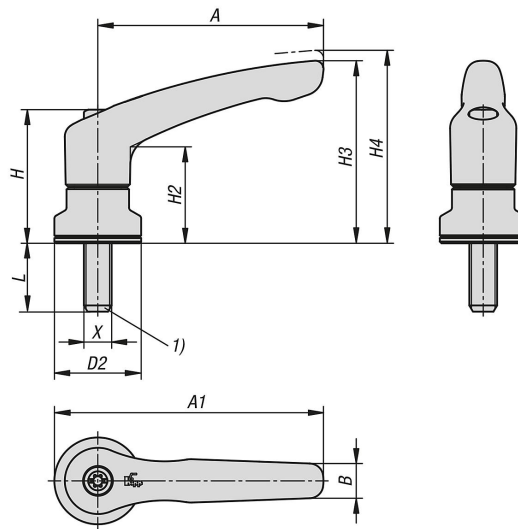
Item description/product images



lift to
disengage



Drawings



Overview of items

Order No.	Main colour	Surface finish body	X	D2	H	H2	H3	H4	A	A1	B	L
06460-10-2081X10	black	plastic-coated	M8	25	38,5	27,7	52,6	55,6	65	77,5	10	10
06460-10-2081X20	black	plastic-coated	M8	25	38,5	27,7	52,6	55,6	65	77,5	10	20
06460-10-2081X30	black	plastic-coated	M8	25	38,5	27,7	52,6	55,6	65	77,5	10	30
06460-10-2081X40	black	plastic-coated	M8	25	38,5	27,7	52,6	55,6	65	77,5	10	40
06460-10-3101X15	black	plastic-coated	M10	30	47	33,9	64,6	68,6	80	95	11,2	15
06460-10-3101X30	black	plastic-coated	M10	30	47	33,9	64,6	68,6	80	95	11,2	30
06460-10-3101X40	black	plastic-coated	M10	30	47	33,9	64,6	68,6	80	95	11,2	40
06460-10-3101X50	black	plastic-coated	M10	30	47	33,9	64,6	68,6	80	95	11,2	50
06460-10-4101X20	black	plastic-coated	M10	30	53,1	37,2	72,8	77,3	95	110	13,2	20
06460-10-4101X30	black	plastic-coated	M10	30	53,1	37,2	72,8	77,3	95	110	13,2	30
06460-10-4101X40	black	plastic-coated	M10	30	53,1	37,2	72,8	77,3	95	110	13,2	40
06460-10-4101X50	black	plastic-coated	M10	30	53,1	37,2	72,8	77,3	95	110	13,2	50
06460-10-5121X20	black	plastic-coated	M12	35	59,1	41,9	83	87,5	110	127,5	15,4	20
06460-10-5121X30	black	plastic-coated	M12	35	59,1	41,9	83	87,5	110	127,5	15,4	30
06460-10-5121X40	black	plastic-coated	M12	35	59,1	41,9	83	87,5	110	127,5	15,4	40
06460-10-5121X50	black	plastic-coated	M12	35	59,1	41,9	83	87,5	110	127,5	15,4	50
06460-10-2082X10	orange RAL 2004	plastic-coated	M8	25	38,5	27,7	52,6	55,6	65	77,5	10	10
06460-10-2082X20	orange RAL 2004	plastic-coated	M8	25	38,5	27,7	52,6	55,6	65	77,5	10	20
06460-10-2082X30	orange RAL 2004	plastic-coated	M8	25	38,5	27,7	52,6	55,6	65	77,5	10	30
06460-10-2082X40	orange RAL 2004	plastic-coated	M8	25	38,5	27,7	52,6	55,6	65	77,5	10	40
06460-10-3102X15	orange RAL 2004	plastic-coated	M10	30	47	33,9	64,6	68,6	80	95	11,2	15
06460-10-3102X30	orange RAL 2004	plastic-coated	M10	30	47	33,9	64,6	68,6	80	95	11,2	30
06460-10-3102X40	orange RAL 2004	plastic-coated	M10	30	47	33,9	64,6	68,6	80	95	11,2	40
06460-10-3102X50	orange RAL 2004	plastic-coated	M10	30	47	33,9	64,6	68,6	80	95	11,2	50
06460-10-4102X20	orange RAL 2004	plastic-coated	M10	30	53,1	37,2	72,8	77,3	95	110	13,2	20
06460-10-4102X30	orange RAL 2004	plastic-coated	M10	30	53,1	37,2	72,8	77,3	95	110	13,2	30
06460-10-4102X40	orange RAL 2004	plastic-coated	M10	30	53,1	37,2	72,8	77,3	95	110	13,2	40
06460-10-4102X50	orange RAL 2004	plastic-coated	M10	30	53,1	37,2	72,8	77,3	95	110	13,2	50
06460-10-5122X20	orange RAL 2004	plastic-coated	M12	35	59,1	41,9	83	87,5	110	127,5	15,4	20
06460-10-5122X30	orange RAL 2004	plastic-coated	M12	35	59,1	41,9	83	87,5	110	127,5	15,4	30
06460-10-5122X40	orange RAL 2004	plastic-coated	M12	35	59,1	41,9	83	87,5	110	127,5	15,4	40
06460-10-5122X50	orange RAL 2004	plastic-coated	M12	35	59,1	41,9	83	87,5	110	127,5	15,4	50
06460-10-20827X10	ruby red	plastic-coated	M8	25	38,5	27,7	52,6	55,6	65	77,5	10	10
06460-10-20827X20	ruby red	plastic-coated	M8	25	38,5	27,7	52,6	55,6	65	77,5	10	20
06460-10-20827X30	ruby red	plastic-coated	M8	25	38,5	27,7	52,6	55,6	65	77,5	10	30
06460-10-20827X40	ruby red	plastic-coated	M8	25	38,5	27,7	52,6	55,6	65	77,5	10	40
06460-10-31027X15	ruby red	plastic-coated	M10	30	47	33,9	64,6	68,6	80	95	11,2	15
06460-10-31027X30	ruby red	plastic-coated	M10	30	47	33,9	64,6	68,6	80	95	11,2	30
06460-10-31027X40	ruby red	plastic-coated	M10	30	47	33,9	64,6	68,6	80	95	11,2	40
06460-10-31027X50	ruby red	plastic-coated	M10	30	47	33,9	64,6	68,6	80	95	11,2	50
06460-10-41027X20	ruby red	plastic-coated	M10	30	53,1	37,2	72,8	77,3	95	110	13,2	20

Overview of items

Order No.	Main colour	Surface finish body	X	D2	H	H2	H3	H4	A	A1	B	L
06460-10-41027X30	ruby red	plastic-coated	M10	30	53,1	37,2	72,8	77,3	95	110	13,2	30
06460-10-41027X40	ruby red	plastic-coated	M10	30	53,1	37,2	72,8	77,3	95	110	13,2	40
06460-10-41027X50	ruby red	plastic-coated	M10	30	53,1	37,2	72,8	77,3	95	110	13,2	50
06460-10-51227X20	ruby red	plastic-coated	M12	35	59,1	41,9	83	87,5	110	127,5	15,4	20
06460-10-51227X30	ruby red	plastic-coated	M12	35	59,1	41,9	83	87,5	110	127,5	15,4	30
06460-10-51227X40	ruby red	plastic-coated	M12	35	59,1	41,9	83	87,5	110	127,5	15,4	40
06460-10-51227X50	ruby red	plastic-coated	M12	35	59,1	41,9	83	87,5	110	127,5	15,4	50
06460-10-2083X10	silver metallic	plastic-coated	M8	25	38,5	27,7	52,6	55,6	65	77,5	10	10
06460-10-2083X20	silver metallic	plastic-coated	M8	25	38,5	27,7	52,6	55,6	65	77,5	10	20
06460-10-2083X30	silver metallic	plastic-coated	M8	25	38,5	27,7	52,6	55,6	65	77,5	10	30
06460-10-2083X40	silver metallic	plastic-coated	M8	25	38,5	27,7	52,6	55,6	65	77,5	10	40
06460-10-3103X15	silver metallic	plastic-coated	M10	30	47	33,9	64,6	68,6	80	95	11,2	15
06460-10-3103X30	silver metallic	plastic-coated	M10	30	47	33,9	64,6	68,6	80	95	11,2	30
06460-10-3103X40	silver metallic	plastic-coated	M10	30	47	33,9	64,6	68,6	80	95	11,2	40
06460-10-3103X50	silver metallic	plastic-coated	M10	30	47	33,9	64,6	68,6	80	95	11,2	50
06460-10-4103X20	silver metallic	plastic-coated	M10	30	53,1	37,2	72,8	77,3	95	110	13,2	20
06460-10-4103X30	silver metallic	plastic-coated	M10	30	53,1	37,2	72,8	77,3	95	110	13,2	30
06460-10-4103X40	silver metallic	plastic-coated	M10	30	53,1	37,2	72,8	77,3	95	110	13,2	40
06460-10-4103X50	silver metallic	plastic-coated	M10	30	53,1	37,2	72,8	77,3	95	110	13,2	50
06460-10-5123X20	silver metallic	plastic-coated	M12	35	59,1	41,9	83	87,5	110	127,5	15,4	20
06460-10-5123X30	silver metallic	plastic-coated	M12	35	59,1	41,9	83	87,5	110	127,5	15,4	30
06460-10-5123X40	silver metallic	plastic-coated	M12	35	59,1	41,9	83	87,5	110	127,5	15,4	40
06460-10-5123X50	silver metallic	plastic-coated	M12	35	59,1	41,9	83	87,5	110	127,5	15,4	50
06460-10-2086X10	silver	high-gloss chromed	M8	25	38,5	27,7	52,6	55,6	65	77,5	10	10
06460-10-2086X20	silver	high-gloss chromed	M8	25	38,5	27,7	52,6	55,6	65	77,5	10	20
06460-10-2086X30	silver	high-gloss chromed	M8	25	38,5	27,7	52,6	55,6	65	77,5	10	30
06460-10-2086X40	silver	high-gloss chromed	M8	25	38,5	27,7	52,6	55,6	65	77,5	10	40
06460-10-3106X15	silver	high-gloss chromed	M10	30	47	33,9	64,6	68,6	80	95	11,2	15
06460-10-3106X30	silver	high-gloss chromed	M10	30	47	33,9	64,6	68,6	80	95	11,2	30
06460-10-3106X40	silver	high-gloss chromed	M10	30	47	33,9	64,6	68,6	80	95	11,2	40
06460-10-3106X50	silver	high-gloss chromed	M10	30	47	33,9	64,6	68,6	80	95	11,2	50
06460-10-4106X20	silver	high-gloss chromed	M10	30	53,1	37,2	72,8	77,3	95	110	13,2	20
06460-10-4106X30	silver	high-gloss chromed	M10	30	53,1	37,2	72,8	77,3	95	110	13,2	30
06460-10-4106X40	silver	high-gloss chromed	M10	30	53,1	37,2	72,8	77,3	95	110	13,2	40
06460-10-4106X50	silver	high-gloss chromed	M10	30	53,1	37,2	72,8	77,3	95	110	13,2	50
06460-10-5126X20	silver	high-gloss chromed	M12	35	59,1	41,9	83	87,5	110	127,5	15,4	20
06460-10-5126X30	silver	high-gloss chromed	M12	35	59,1	41,9	83	87,5	110	127,5	15,4	30
06460-10-5126X40	silver	high-gloss chromed	M12	35	59,1	41,9	83	87,5	110	127,5	15,4	40
06460-10-5126X50	silver	high-gloss chromed	M12	35	59,1	41,9	83	87,5	110	127,5	15,4	50