



Description

Material:

Handle die-cast zinc DIN EN 12844.
Steel parts grade 5.8.

Version:

Handle plastic-coated or high-gloss chromed.
Steel parts trivalent blue passivated.

Note:

Standard colours are:
black satin finish, orange RAL 2004, silver metallic, high gloss chromed.
Where $L \geq 60$ mm the thread length is 60 mm.

On request:

Other threads, colours and special versions.
Dimension "H1" available in other lengths at extra charge.

Drawing reference:

1) flat point DIN 78

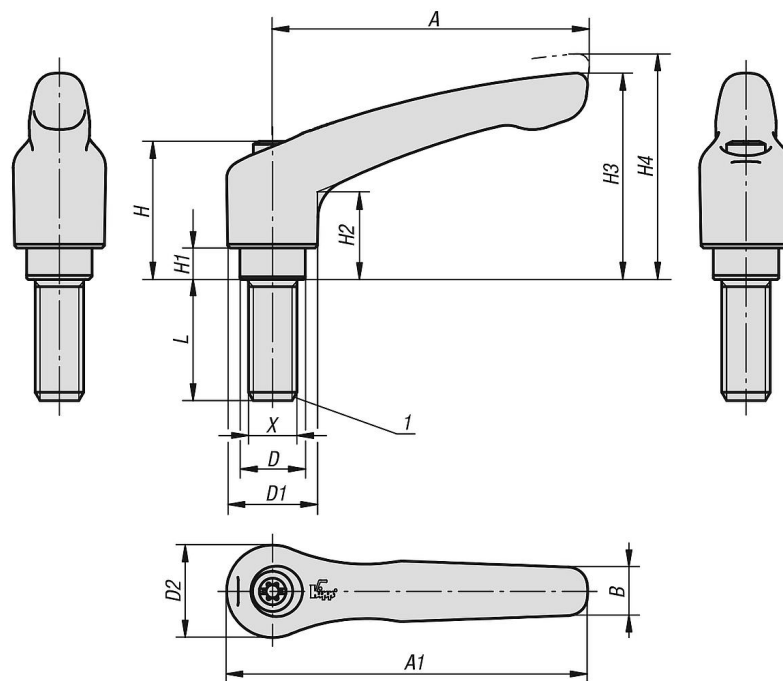
Item description/product images



Item description/product images



Drawings



Overview of items

Order No.	Main colour	Surface finish body	Size	X	D	D1	D2	H	H1	H2	H3	H4	A	A1	B	No. of teeth	L
06460-05-0041X10	black	plastic-coated	0	M4	10	13	14	24,5	4	14,5	30	33	30	37	7	16	10
06460-05-0041X15	black	plastic-coated	0	M4	10	13	14	24,5	4	14,5	30	33	30	37	7	16	15
06460-05-0041X20	black	plastic-coated	0	M4	10	13	14	24,5	4	14,5	30	33	30	37	7	16	20
06460-05-0041X25	black	plastic-coated	0	M4	10	13	14	24,5	4	14,5	30	33	30	37	7	16	25
06460-05-0041X30	black	plastic-coated	0	M4	10	13	14	24,5	4	14,5	30	33	30	37	7	16	30
06460-05-0041X35	black	plastic-coated	0	M4	10	13	14	24,5	4	14,5	30	33	30	37	7	16	35
06460-05-0041X40	black	plastic-coated	0	M4	10	13	14	24,5	4	14,5	30	33	30	37	7	16	40
06460-05-0041X45	black	plastic-coated	0	M4	10	13	14	24,5	4	14,5	30	33	30	37	7	16	45
06460-05-0041X50	black	plastic-coated	0	M4	10	13	14	24,5	4	14,5	30	33	30	37	7	16	50
06460-05-0042X10	orange RAL 2004	plastic-coated	0	M4	10	13	14	24,5	4	14,5	30	33	30	37	7	16	10
06460-05-0042X15	orange RAL 2004	plastic-coated	0	M4	10	13	14	24,5	4	14,5	30	33	30	37	7	16	15

