

## Clamping pin stainless steel

### Item description/product images



### Description

**Material:**

Stainless steel

**Version:**

Hardened.

**Note:**

Colour may differ from image due to curing process.

**Type of operation:**

Screw the clamping pin into the thread and tighten. See assembly drawing.

**Accessory:**

Quarter-turn latches K1561.

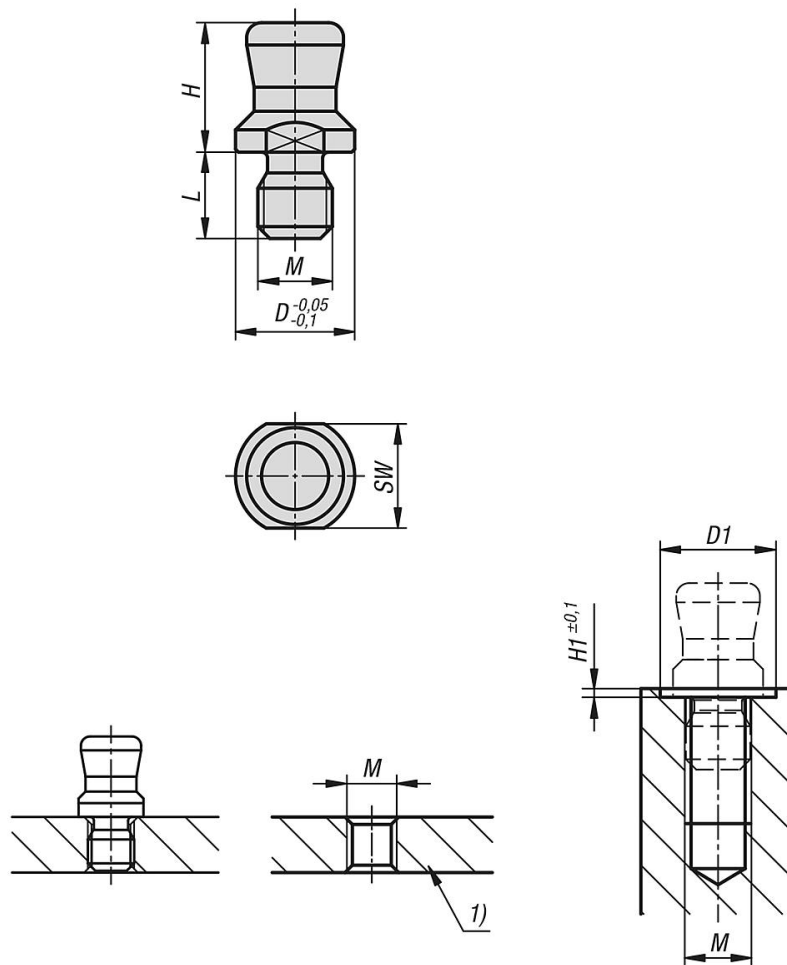
Push button latches K1562.

**Drawing reference:**

1) plate

# Clamping pin stainless steel

## Drawings



## Overview of items

### Clamping pin stainless steel

Order No.	D	D1	H	H1	L	M	SW
K1564.16	6	7	7,6	0,5	5,8	M04X0,7	5
K1564.18	8	9	8,7	0,5	5,8	M05X0,8	7