

## Fastening set workpiece stabiliser

### Item description/product images

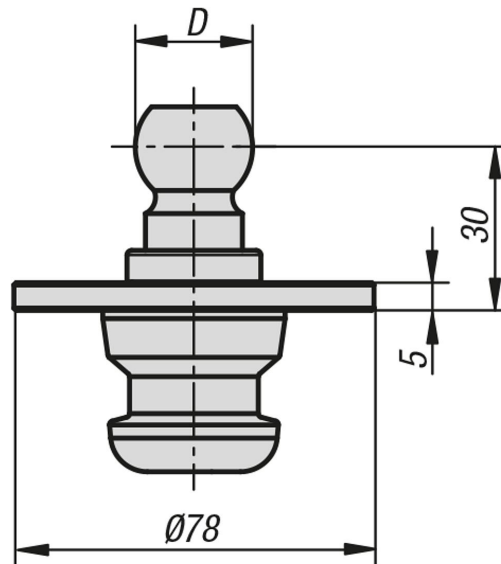


### Description

**Material:**  
Steel.

**Note:**  
The fastening set is suitable for adaption to UNI lock clamping systems.

### Drawings



### Overview of items

#### Fastening set for workpiece stabiliser

Order No.	D
K1190.2540	25,4