

Linear actuator connector clamps flange

Item description/product images



Description

Material:

Cast aluminium.
DIN 7984 screws and DIN 985 nuts, steel.

Version:

Black powder-coated.
Screws and nuts electro zinc-plated.

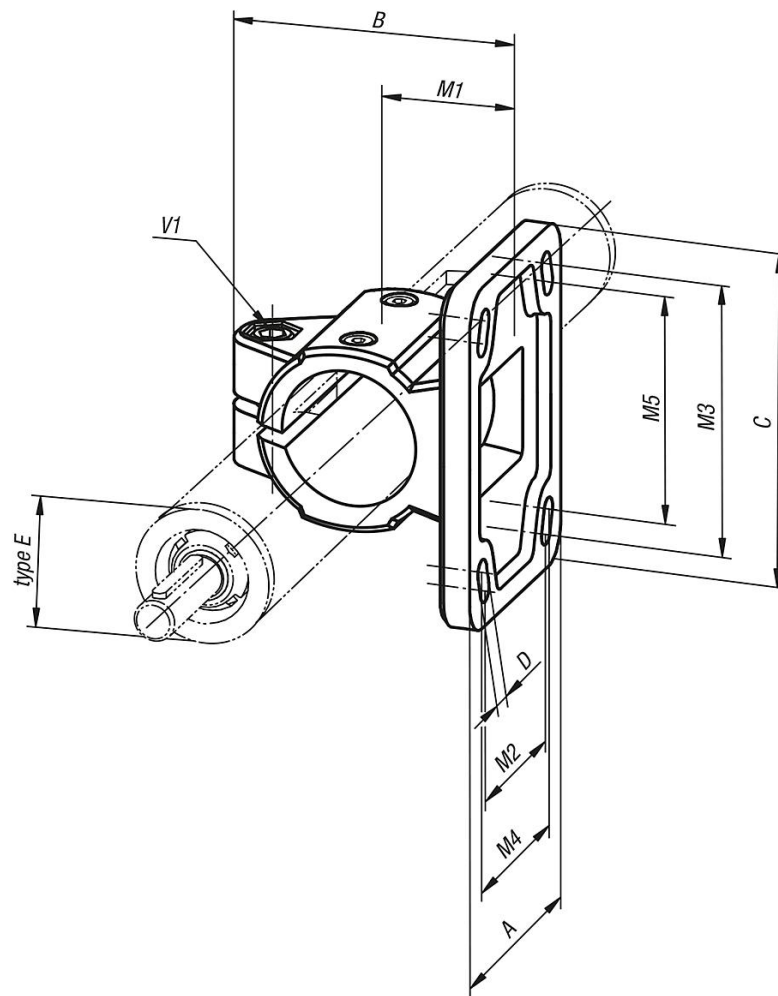
Note:

* Elongated hole

On request:

Clamping levers for tightening.

Drawings



Overview of items

Linear actuator connector clamps, flange

Linear actuator connector clamps flange

Overview of items

Order No.	Type E	A	B	C	D	M1	M2	M3	M4	M5	V1
K0498.18	18	37	42,5	50	5,5 (2x)	18	-	40	-	-	M6x16
K0498.30	30	55	63	78	6,5* (2x)	30	-	60	-	53	M8x25
K0498.40	40	80	87	105	8,5* (4x)	42	52	82	60	80	M10x30
K0498.50	50	92	100	130	10,5* (4x)	50	60	100	62	98	M10x35