

Side clamps

Item description/product images



Description

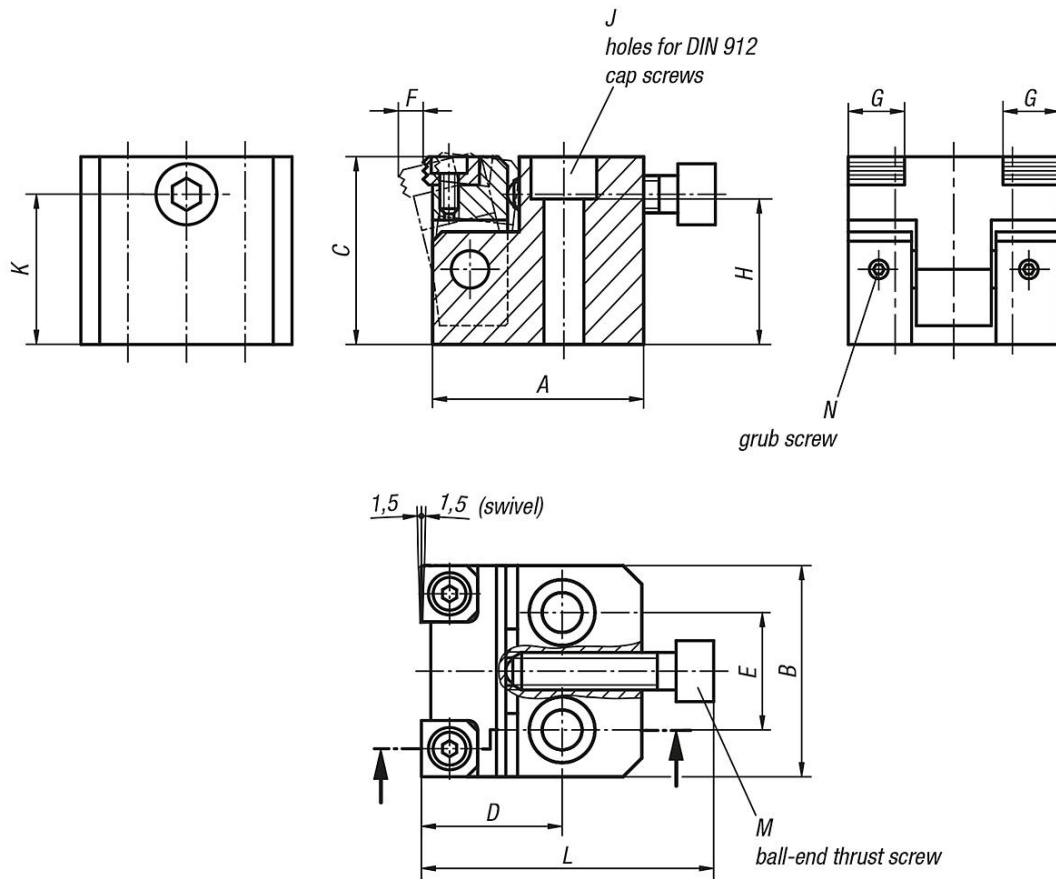
Material:

Body and arm carbon steel.
Jaw tool steel.

Version:

Body black oxidised.
Arm and jaw tempered and black oxidised.

Drawings



Overview of items

Side clamps

Side clamps

Overview of items

Order No.	A	B	C	D	E	F	G	H	J	K	L	M	N	F=retaining force N	Tightening torque Nm
K0930.080400	45	45	40	30	25	5,3	12	31	M8	32	62,5	M8x35	M4x4	15000	25
K0930.100500	55	55	50	40	30	7,1	16	39	M10	40	74	M10x40	M4x4	27000	50
K0930.120600	65	65	60	45	35	8	20	47	M12	48	91	M12x50	M5x5	38000	90