

Clamp springs

Item description/product images



Description

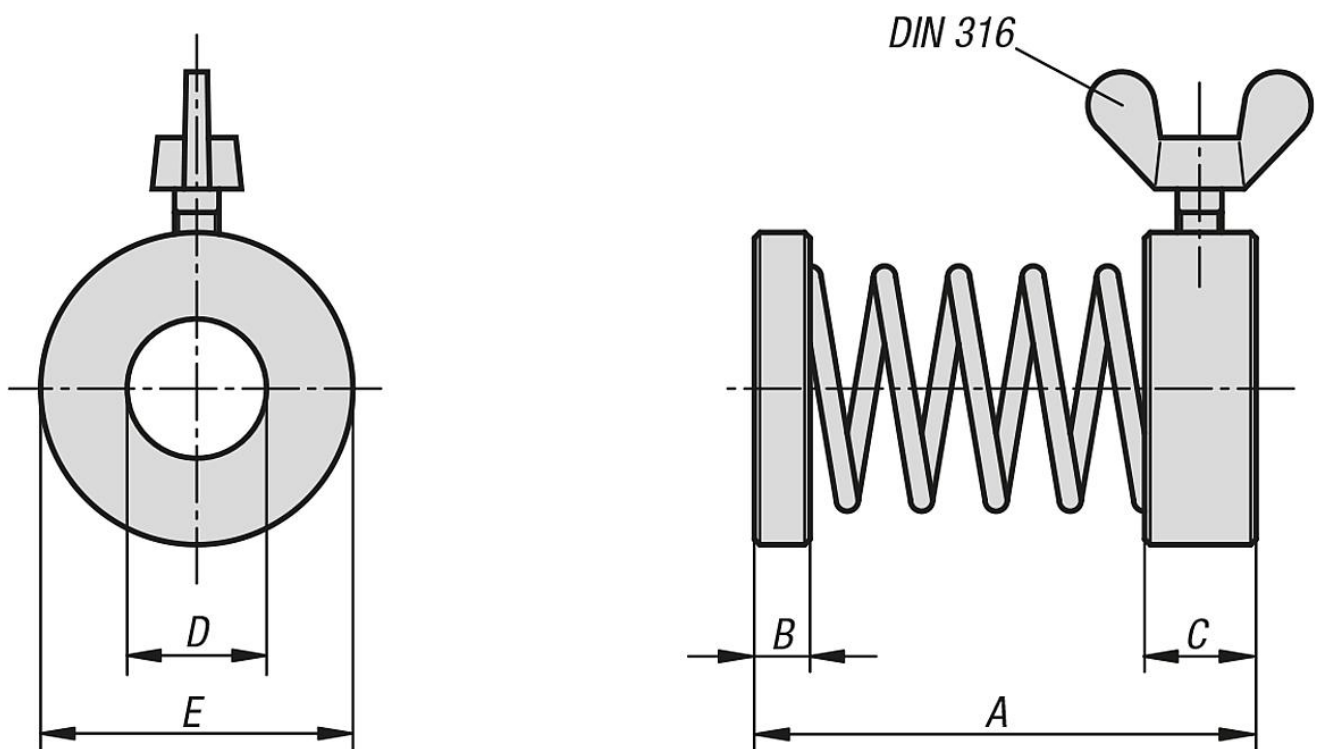
Material:

Thrust and retaining ring carbon steel.
Spring, spring steel.

Version:

Thrust and retaining ring black oxidised.
Spring bright.

Drawings



Overview of items

Clamp springs

| Order No. | A | B | C | D | E | Wing nuts to DIN 316 |
|-------------|----|---|---|------|----|-------------------------|
| K0859.08029 | 29 | 2 | 6 | 8,5 | 16 | M4x6 |
| K0859.12046 | 46 | 3 | 8 | 13 | 25 | M4x10 |
| K0859.16050 | 50 | 4 | 8 | 16,5 | 28 | M5x10 |

