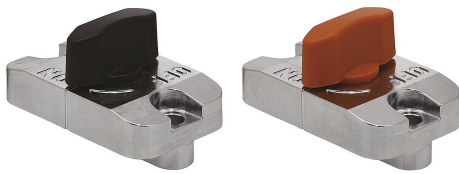
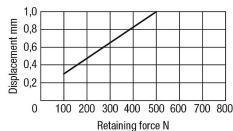


## Sliding clamps for slotted holes

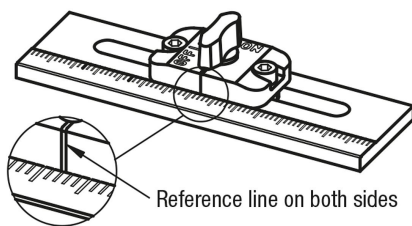
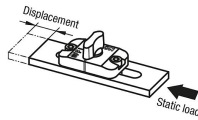
### Item description/product images



Displacement on static load from one direction



The forces apply to steel or stainless steel plates



### Description

#### Material:

Housing die-cast zinc.

Knob thermoplastic PA (polyamide).

Pins and wedge stainless steel.

Thrust pad POM.

#### Version:

Housing chromed.

Knob black or orange, glass-bead reinforced.

#### Note:

Sliding clamps for slotted holes are inserted into an upper plate with an 10-mm-wide slotted hole and then fixed to the base plate. The knob must be turned to the "OFF" position while the component is being installed. The sliding clamps are used for precision plates with a thickness of 3 mm or 6 mm. For other thicknesses shim plates K1071 must be used.

By turning the knob, the pins mounted in the bottom section of sliding clamp are drawn together by the springs and forced downwards. The two pins press against the surface and clamp the sliding clamp. Two spring plungers lift the sliding clamp in the "ON" position allowing easier movement.

#### Accessory:

Base plates K1071.

#### Functional principle:

The sliding clamps have 2 different operating principles.

##### Operating principle 1:

The sliding clamp is movable.

The sliding clamp is bolted onto a loose plate or block placed under a fixated slotted plate. The sliding clamp together with the plate or block can be slid up and down the fixated slotted plate.

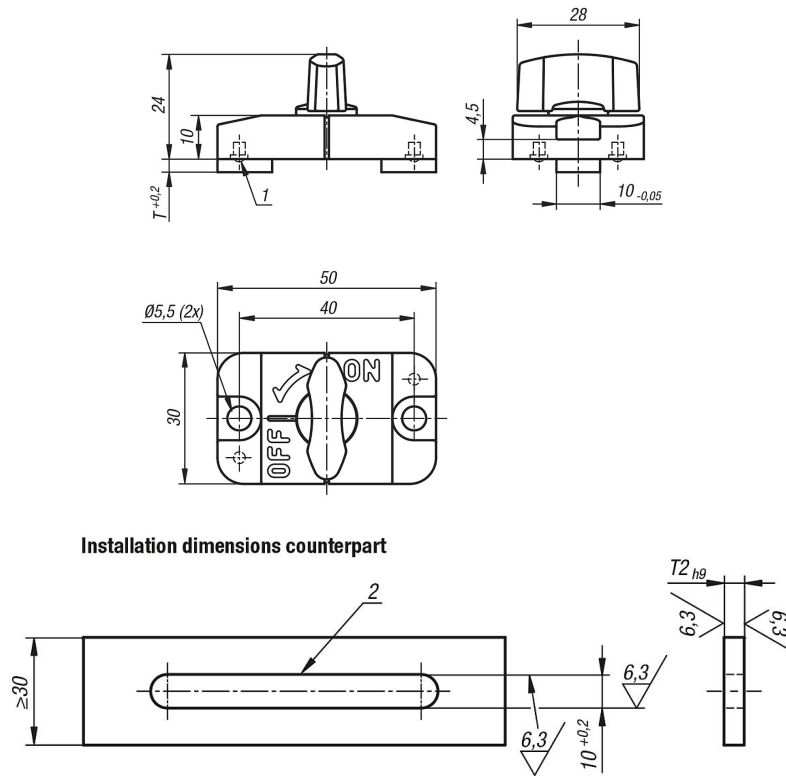
##### Operating principle 2:

The sliding clamp is fixated.

The sliding clamp is bolted onto a fixated plate or block placed under a loose slotted plate. The sliding clamp cannot move but the slotted plate can be slid up and down over the fixated plate or block.

## Sliding clamps for slotted holes

### Drawings



Installation dimensions counterpart

### Overview of items

#### Sliding clamps for slotted holes

Order No.	Colour	T	T2	Holding force N	Temperature resistance
K1070.31	black	3	3	500	≤90 °C
K1070.61	black	6	6	500	≤90 °C
K1070.32	orange	3	3	500	≤90 °C
K1070.62	orange	6	6	500	≤90 °C