

Pull handles high temperature resistant

Item description/product images



Description

Material:

Thermoplastic PPA (resistant to high temperatures), fibreglass reinforced.
Bush, stainless steel.

Version:

black.

Note:

This pull handle is characterised by its large size and pleasant haptics.
Easy to clean due to its closed, smooth design (suitable for e.g. foodstuff production and medical technology).

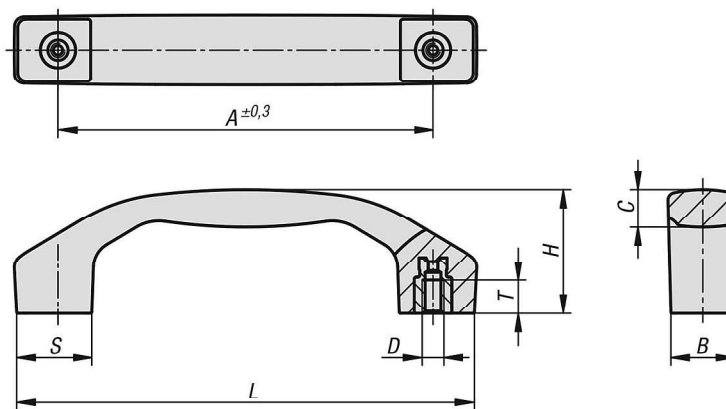
Temperature range:

Continuous operating temperature acc. to IEC 216 max. 160 °C.
Short-term operating temperature: max. 250 °C.
Suitable for steam sterilisation (medical technology).

Assembly:

From the rear.

Drawings



Overview of items

Pull handles, high temperature resistant

Order No.	Form	A	B	C	D	H	L	S	T	Load capacity N
K1060.210054	B	100	17	10,3	M5	34	122,5	20	9	1000
K1060.2120064	B	120	21	12,4	M6	41	146	24	12	1000
K1060.2140084	B	140	24	15,4	M8	46,5	170	28	12	1000



Overview of items
