

Tubular handles

Item description/product images



Description

Material:

Legs glass-bead reinforced thermoplastic.

Grip stainless steel 1.4301.

Inserts stainless steel 1.4305.

Version:

Legs fine structured, black.

Grip fine ground.

Inserts fine turned.

Note:

Locking webs allow a precision fit of the tube on the plastic leg boss.

Splash-proof with O-ring seals.

Different fastening inserts allow mounting from the front, rear or with each other.

Handles with through hole inserts (Form A) are supplied with stainless steel fasteners.

Handles with tapped inserts (Form B) are supplied without fasteners.

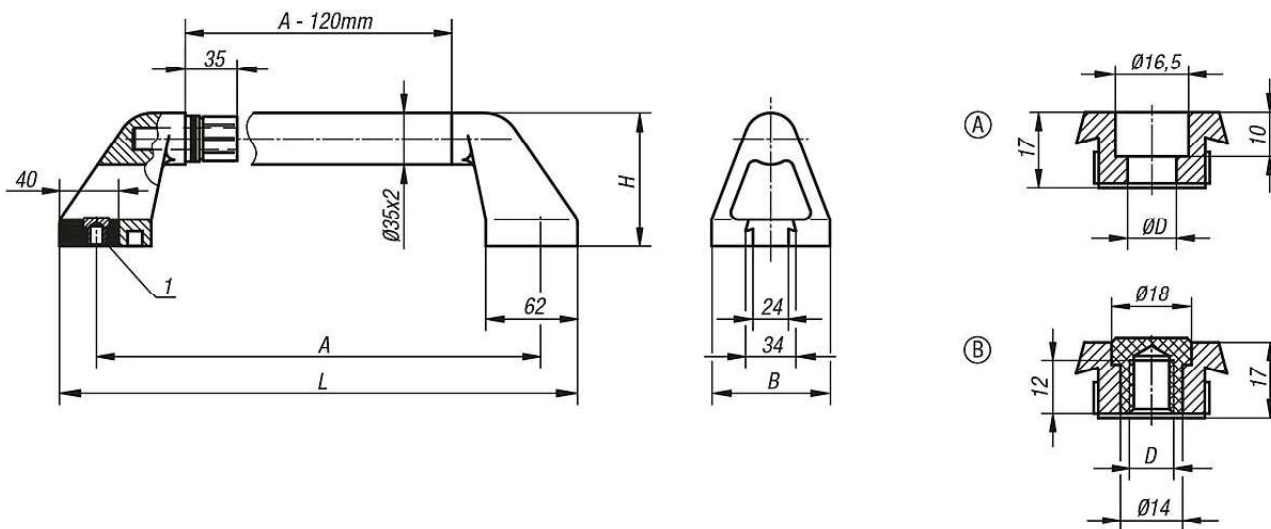
Drawing reference:

Form A: screw head insert

Form B: threaded insert

1) Screw head insert (A) or threaded insert (B).

Drawings



Overview of items

Tubular handles

| Order No. | Form | A | B | D | H | L | Load capacity N |
|--------------|------|-----|----|----|----|-----|--------------------|
| K0226.300101 | A | 300 | 80 | 11 | 90 | 350 | 1000 |

Tubular handles

Overview of items

| Order No. | Form | A | B | D | H | L | Load capacity N |
|--------------|------|-----|----|-----|----|-----|-----------------|
| K0226.350101 | A | 350 | 80 | 11 | 90 | 400 | 1000 |
| K0226.400101 | A | 400 | 80 | 11 | 90 | 450 | 1000 |
| K0226.500101 | A | 500 | 80 | 11 | 90 | 550 | 1000 |
| K0226.600101 | A | 600 | 80 | 11 | 90 | 650 | 1000 |
| K0226.300102 | B | 300 | 80 | M10 | 90 | 350 | 1000 |
| K0226.350102 | B | 350 | 80 | M10 | 90 | 400 | 1000 |
| K0226.400102 | B | 400 | 80 | M10 | 90 | 450 | 1000 |
| K0226.500102 | B | 500 | 80 | M10 | 90 | 550 | 1000 |
| K0226.600102 | B | 600 | 80 | M10 | 90 | 650 | 1000 |