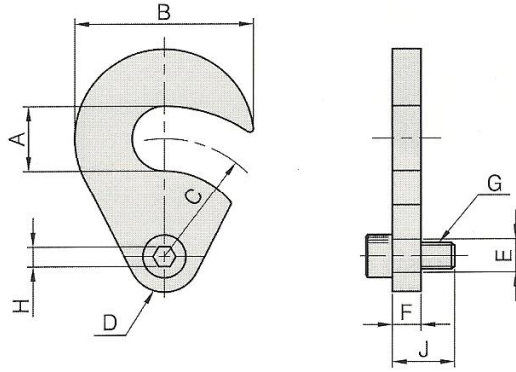


PT24

SWING "C" WASHER



- Material / Finish:
Material: 4140(JIS)/CK45(DIN),
Heat treated to HRC 40°.
- Application: C washer that swings out of the way for clean loading. Can be reversed to swing into position either clockwise or counter-clockwise.



MODEL NO.	A	B	C	D	E	F	G	H	J	kg
PT24-0632	11.0	32	24	16	8	6	M6	8	15	0.050
PT24-0840	13.5	40	27	20	10	8	M8	10	20	0.090
PT24-0850	18.0	50	33	20	10	8	M8	10	20	0.130



www.maxiloc.com.au